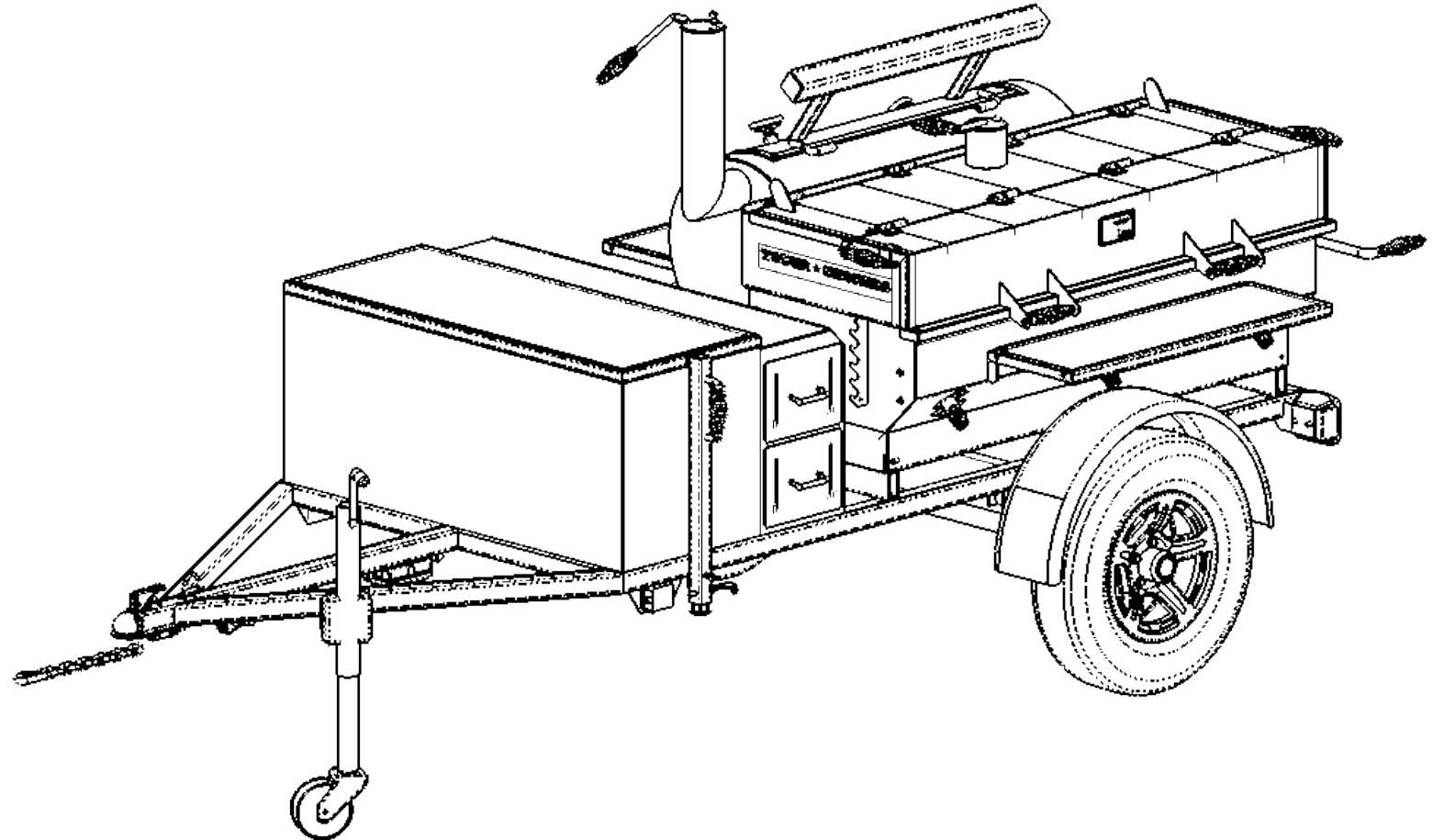


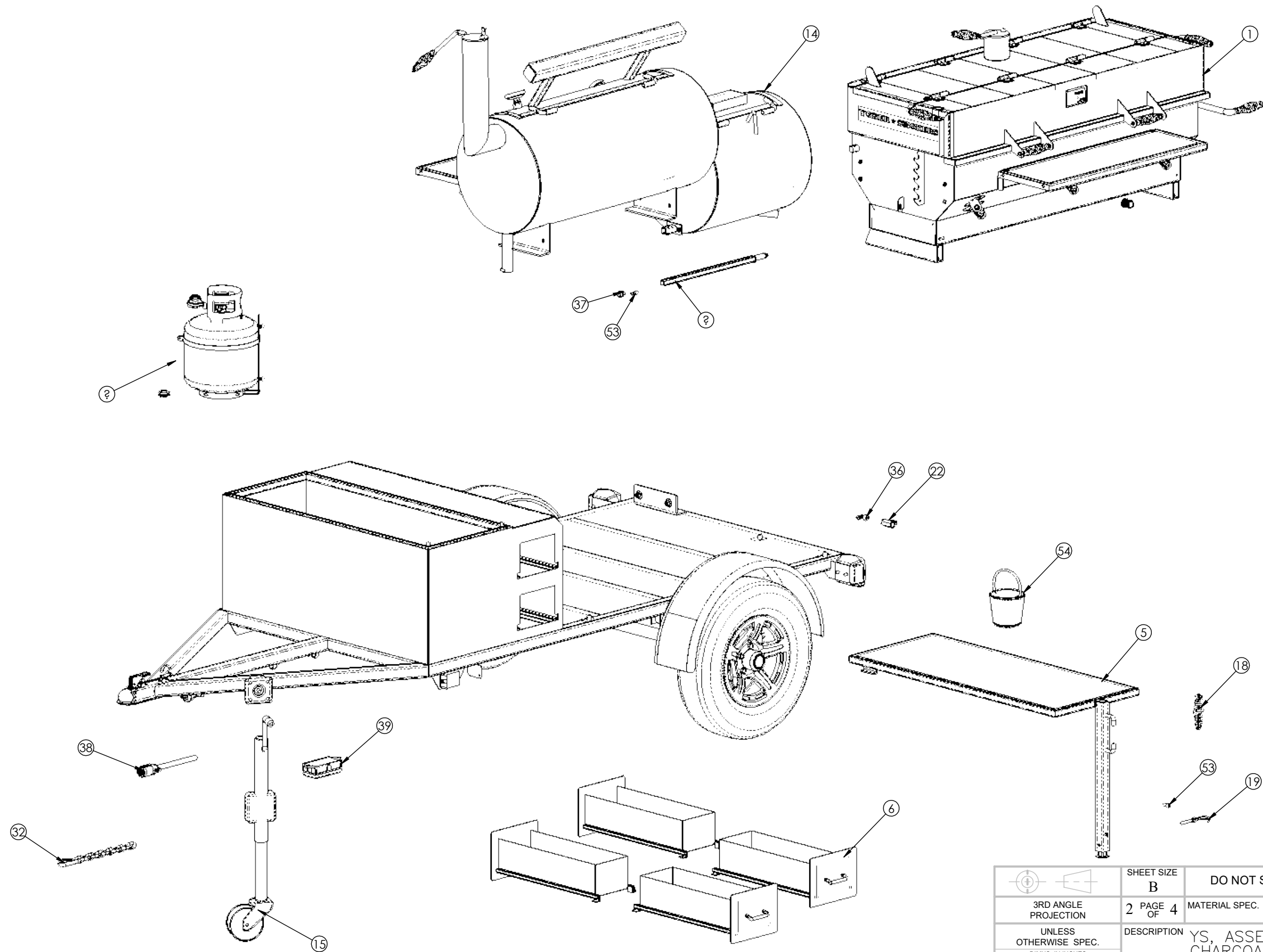
ITEM	PART #	DESCRIPTION	REV	QTY
1	A45614	YS, ASSEMBLY, CHARCOAL GRILL, 24x60, TRAILER MOUNTED, SS FRONT SHELF	A	1
2	A90830	YS, ASSEMBLY, FRONT SHELF, 1500	D	1
3	W41098	YS, WELDMENT, BUTTERFLY DAMPER, 20" WICHITA	A	1
4	W41144	YS, WELDMENT, WOODBOX LEG	-	1
5	W41192	YS, WELDMENT, WOODBOX LID, 50" WIDE TRAILERS	C	1
6	W41568	YS, WELDMENT, STORAGE DRAWER FOR 50" WIDE TRAILERS	A	4
7	W41695	YS, WELDMENT, LOG LIGHTER, 20"	A	1
8	W41788	YS, WELDMENT, 2nd SHELF, 20" WICHITA & SANTA FE	D	1
9	W41836	YS, WELDMENT, ASH RAKE, 16", w/ LL NOTCH	-	1
10	W45768	YS, WELDMENT, COOKING GRATE, SANTA FE	-	2
11	W45769	YS, WELDMENT, FIREBOX COOKING GRATE, SANTA FE	-	1
12	W47066	YS, WELDMENT, BOLT-ON LOG LIGHTER RECEPTACLE, SHORT	-	1
13	W47680	YS, WELDMENT, 50" WIDE TRAILER FRAME, SANTA FE w/24x60 CHARCOAL, STORAGE DRAWERS	-	1
14	W47682	YS, WELDMENT, SMOKER, 20x42 SANTA FE, SS FRONT SHELF, LEFT HAND	-	1
15	22852	TRAILER, JACK, SWING-AWAY, 1200#, SIDEWIND	-	1
16	22857	TRAILER, LIGHT KIT, RIGID P/N 7520, 4-WIRE FLAT	-	1
17	22860	YS, TAG, SERIAL NUMBER	-	1
18	22866	YS, HANDLE, SPRING, 5.75" LONG, 1/2" HOLE	-	4
19	22877	PIN, SNAPPER, ROUND - 2-1/2" x 1/4" DIA	-	1
20	22924	PUSH CAP, NICKEL PLATED, 3/8", 94803A031	-	4
21	Single Bottle Mount Asm	*	-	1
22	22999	VALVE, SHUTOFF, 1/2" FEMxFEM, FASTENAL #0427027	-	1
23	23108	PUSH CAP, NICKEL PLATED, 1/2", 94803A050	-	1
24	23253	GROMMET, RUBBER, 1" ID	-	1
25	23387	HOSE, PROPANE, W/REGULATOR, 48", TVL-202RH-48IN	-	1
26	23558	TIRE, ST205/75R15, LOAD RANGE D	-	2
27	23699	SNAP PIN W/TAB LOCK-ZINC PLATED-.25" X 1.75"	-	1
28	23758	TRAILER, LUG NUT, CHROME, 1/2-20	-	10
29	23759	TRAILER, WHEEL CENTER CAP, CHROME, 3.19"	-	2
30	24019	GRAVEL GUARD, VINYL, ADHESIVE BACKED, 9" WIDE	-	2.4
31	24117	EDGE TRIM, ADHESIVE, 1/4" OUTSIDE WIDTH, NC02-05	-	13
32	24142	TRAILER, SAFETY CHAIN PAIR, CLASS II, 3500#	-	1
33	24171	YS, TEMP GAUGE, 3", TEL-TRU UT300, 3" STEM, CUSTOM DIAL	-	2
34	24197	NUT, JAM, 1/2" NPT, NICKEL PLATED BRASS	-	2
35	24248	3' HOSE, ASSY, 1/4" PROPANE, #6 SAE SWIVEL STRAIGHT BOTH ENDS	-	1
36	24251	FITTING, ELBOW, BRASS, 1/2 MPT x 3/8 SAE FLARE	-	1
37	24253	FITTING, PIPE, BRASS, 3/8 FPT x 3/8 SAE FLARE	-	1
38	24254	TRAILER, CONNECTOR ASSY, 8FT, 7-STRAND, 7-POLE RV	-	1
39	24255	TRAILER, BOX, JUNCTION, W/HARDWARE, 7 STUD, J-JB-4	-	1
40	24256	CONNECTOR, WIRE, #10 RING, 12-10 GA, W/SHRINK	-	5
41	24257	CONNECTOR, WIRE, #10 RING, 16-14 GA, W/SHRINK	-	10
42	24258	CONNECTOR, WIRE, BUTT, 14-16 AWG, MULTI, w/SHRINK	-	3
43	24275	FITTING, PIPE, BRASS, 1/2 FPT x 3/8 SAE FLARE	-	1
44	41032	YS, LATCH, FIREBOX DOOR	-	1
45	41097	YS, FIRE GRATE, 20" FB	C	1
46	41212	YS, PLATE, CONVECTION, 20"	-	1
47	24649	PIN, CLEVIS, 1/2 x 4, BENT-PULL, ZINC PLATED	-	2
48	41435	YS, ROD HANDLE, 3/8" x 7.75" LONG, ZINC	-	2
49	46905	HANDLE, ROUND DOOR PULL, OFFSET, 4", SS, W/FASTENERS	-	4
50	46910	YS, TRAILER, GRILL MOUNT TAB, SHORT	A	4
51	46912	SPRING PLUNGER, RETRACTABLE W/LOCKING NOSE, 3/8X1	-	4
52	47130	TRAILER, WHEEL, ALUMINUM, POLISHED, 15 x 6, 5X4.5, T12	-	2
53	90377	THUMBSCREW, 5/16-18 X 3/4	-	3
54	90460	BUCKET, GALVANIZED, 15.2 x 11 x 12.7cm, WITH YS LOGO	-	1
55	1213HN	NUT, HEX, 1/2-13	-	4
56	1213X114HB	BOLT, HEX, 1/2-13 X 1 1/4" LONG	-	8
57	12FW	WASHER, FLAT, 1/2"	-	4
58	12LW	WASHER, LOCK, 1/2"	-	8
59	1420X34HB	BOLT, HEX, 1/4-20 X 3/4" LONG	-	2
60	1420X58WHB	BOLT, WHIZ, 1/4-20 X 5/8" LONG	-	2
61	14FW	WASHER, FLAT, 1/4"	-	2
62	236-2489-02	RIVET, POP, 1/8 DIA. X 3/8 GRIP	-	4
63	236-6392-02	WASHER, LOCK, EXTERNAL TOOTH, 1/4"	-	4
64	3816HN	NUT, HEX, 3/8-16	-	1
65	3816X1CB	BOLT, CARRIAGE, 3/8-16 x 1, GR5, ZN	-	2

ITEM	PART #	DESCRIPTION	REV	QTY
66	3816X212HB	BOLT, HEX, 3/8-16 x 2 1/2", GR5 ZN	-	1
67	1420HNJ	NUT, HEX, JAM, 1/4-20, GR5, ZN	-	4
68	701-212-02	COTTER, HAIRPIN, 1/8 DIA X 2-3/8, 1/2 TO 5/8 PIN	-	3
69	832HN	NUT, HEX, 8-32	-	4
70	832X34PHMS	SCREW, MACHINE, PHILLIPS HEAD, 8-32 X 3/4 LONG	-	4

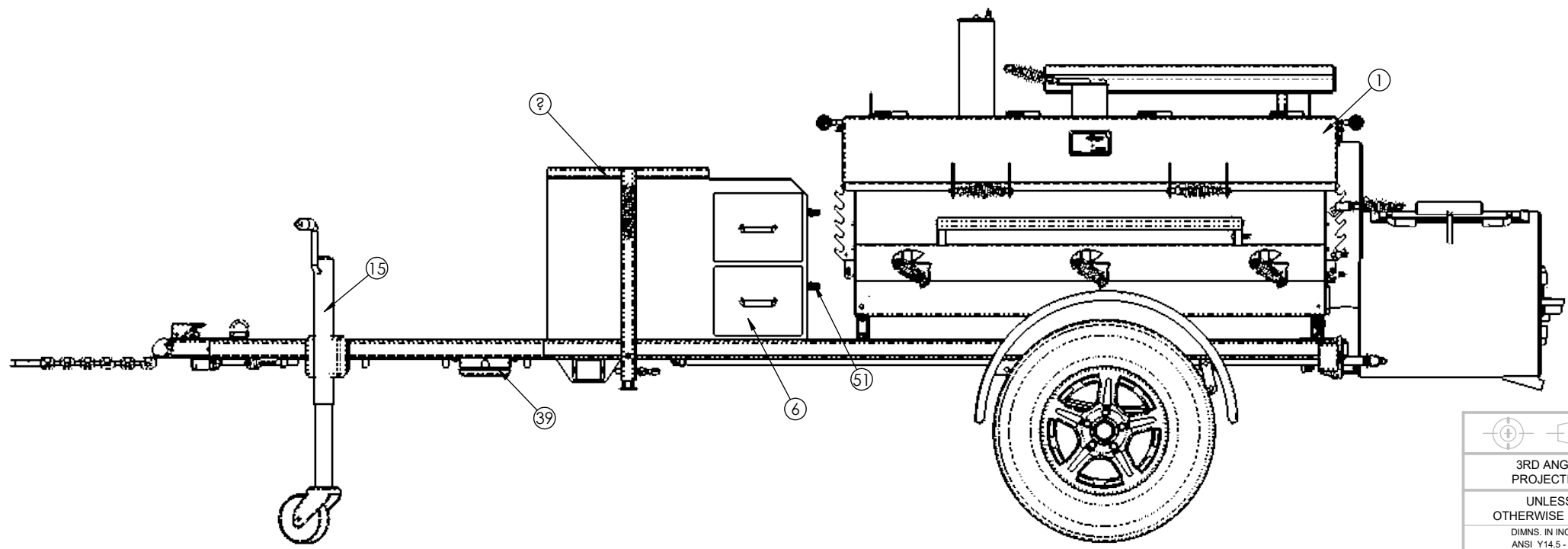
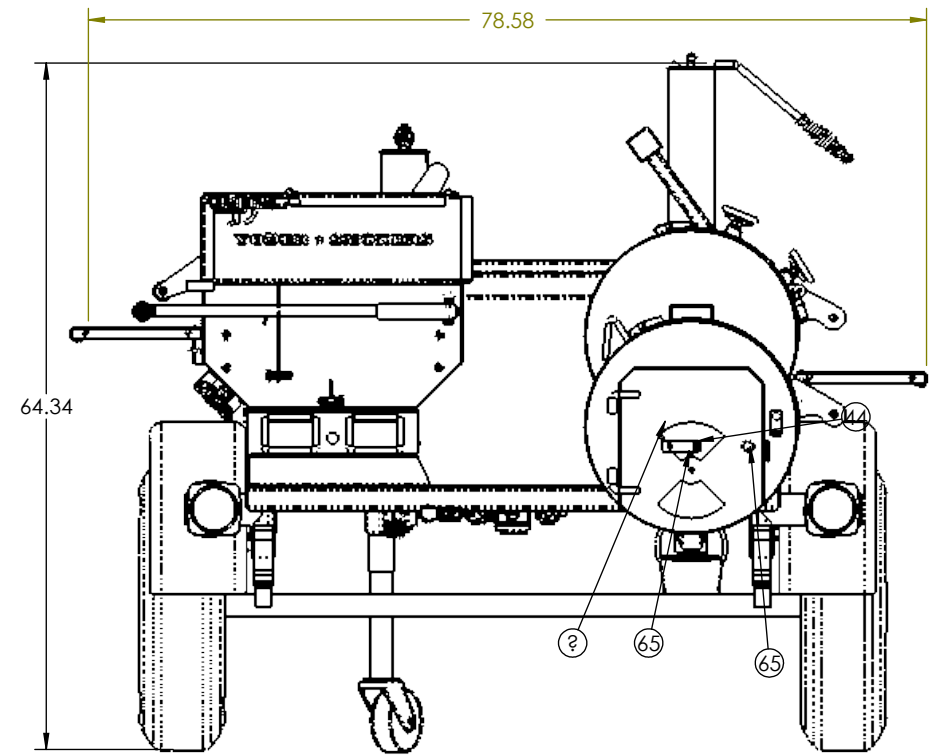
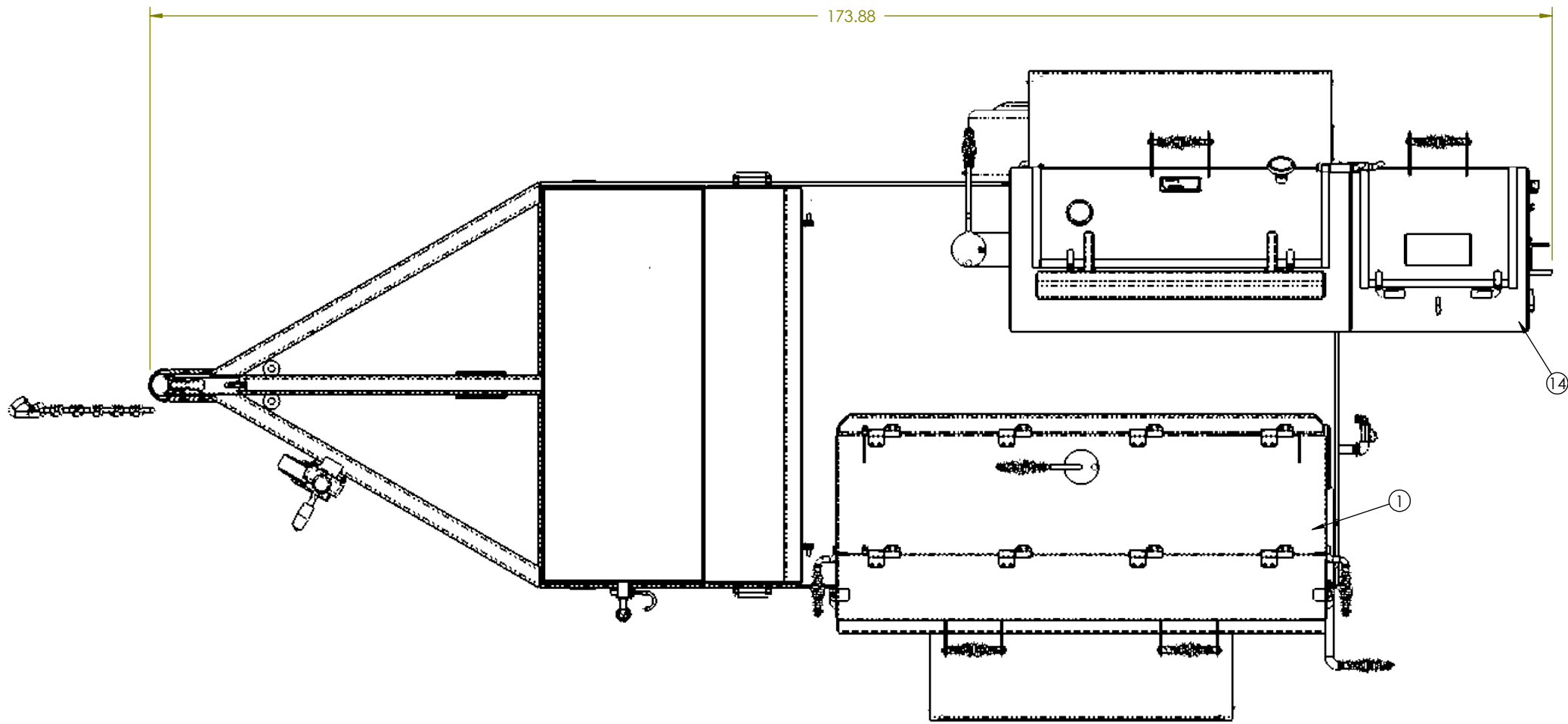


	SHEET SIZE B	DO NOT SCALE DRAWING	MATL #	REV
	1 PAGE OF 4	MATERIAL SPEC. SEE BOM	__	__
UNLESS OTHERWISE SPEC. DIMNS. IN INCHES ANSI Y14.5 - 1994 STD. TOLERANCES X.X ± .060 X.XX ± .030 X.XXX ± .010 FRAC.DIM. ± 1/32 DEG. ± 1 BREAK ALL EDGES 010 - 015	DESCRIPTION	YS, ASSEMBLY, SANTA FE TRAILER w/ 24x60 CHARCOAL STREETSIDE, 4-DRAWER STORAGE		
	DRAWING NUMBER	A47469		
	DRAWN BY JE	DATE 5/23/16	 <small>NOTICE: THIS DOCUMENT AND ITS CONTENTS ARE THE PROPERTY OF YODER SMOKERS, INC. NO USE OR COPIES MAY BE MADE WITHOUT WRITTEN PERMISSION.</small>	

REVISIONS				
ECN	REV.	DESCRIPTION	DATE	APPROVED

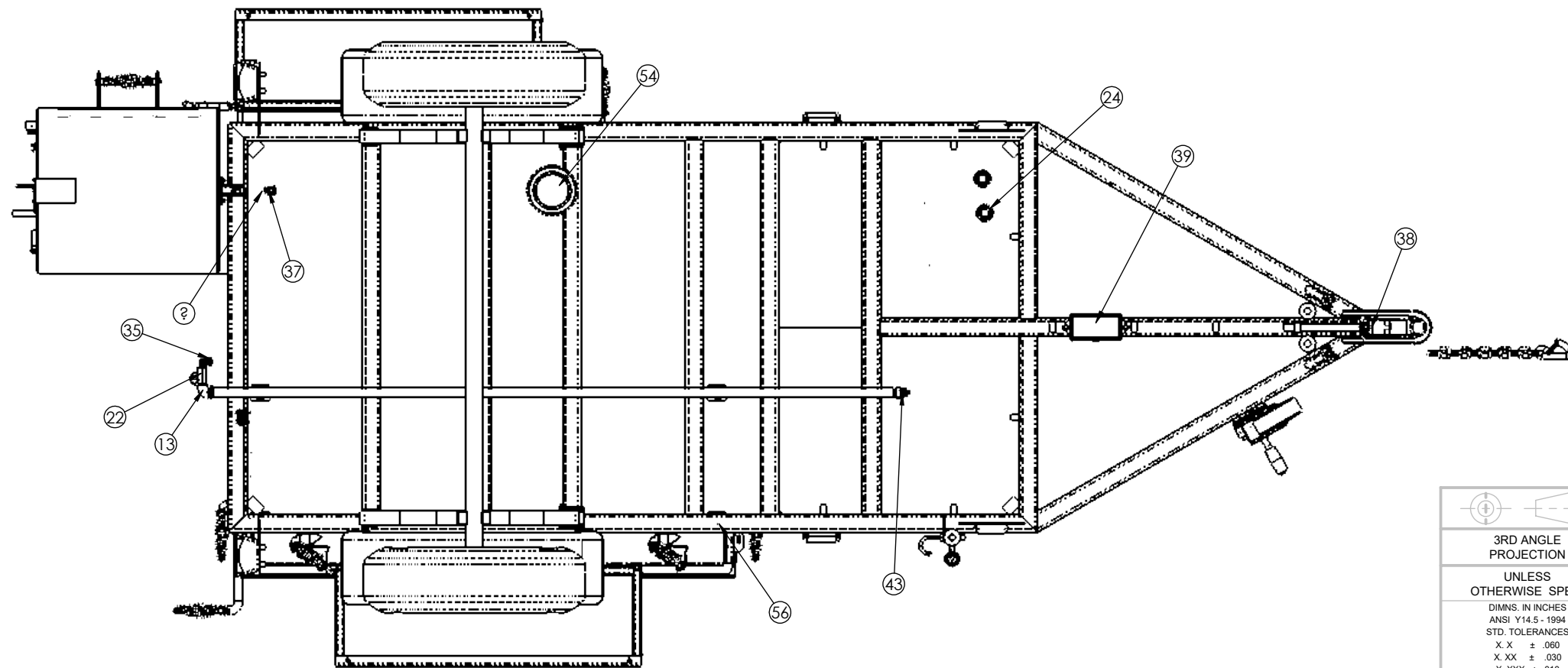
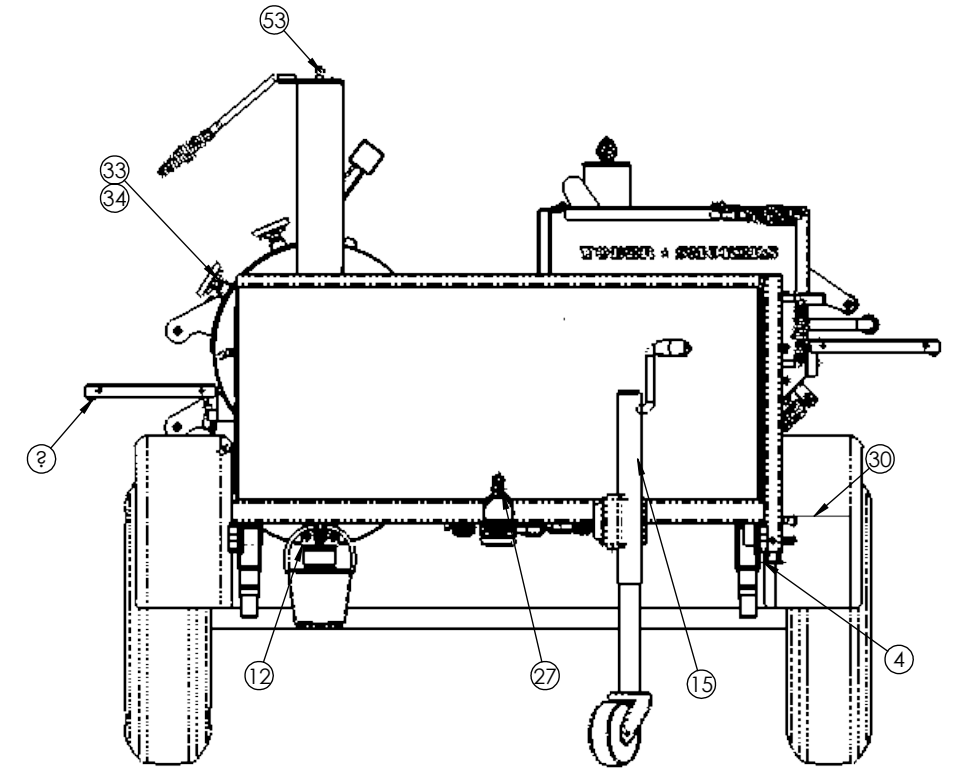
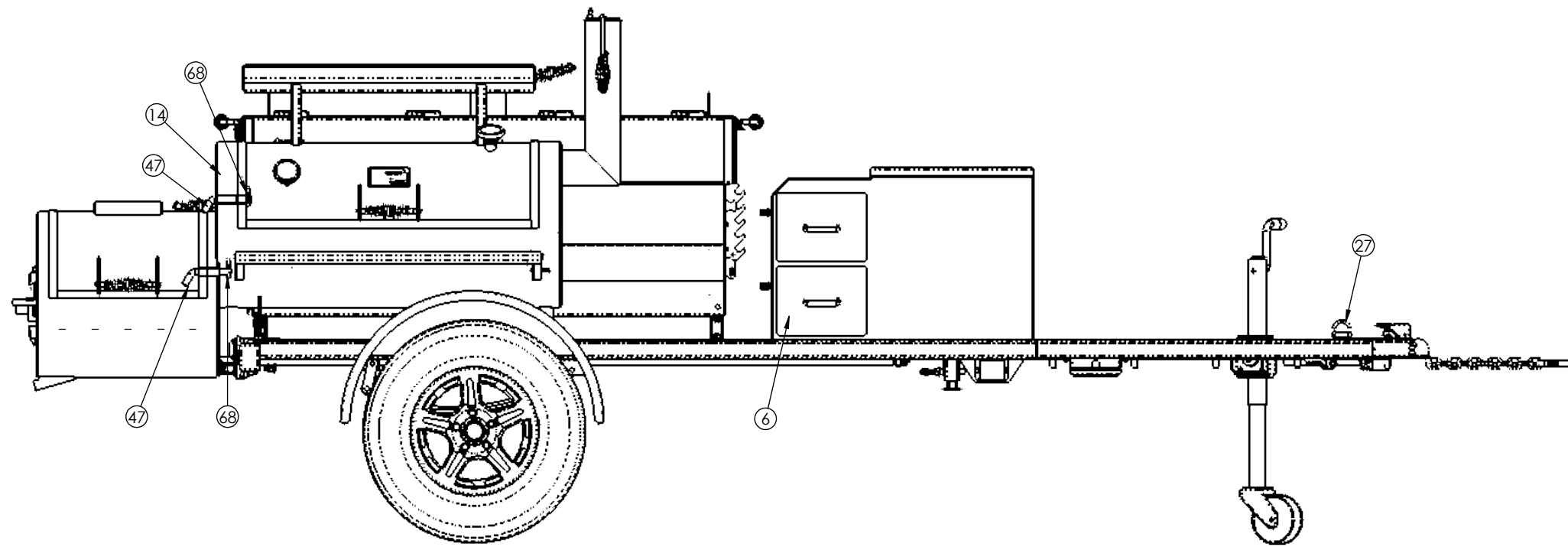


 3RD ANGLE PROJECTION	SHEET SIZE B	DO NOT SCALE DRAWING	MATL # <u> </u>	REV <u> </u>
	2 OF 4	MATERIAL SPEC. SEE BOM		
UNLESS OTHERWISE SPEC. DIMNS. IN INCHES ANSI Y14.5 - 1994 STD. TOLERANCES X.X ± .060 X.XX ± .030 X.XXX ± .010 FRAC.DIM. ± 1/32 DEG. ± 1 BREAK ALL EDGES 010 - 015	DESCRIPTION YS, ASSEMBLY, SANTA FE TRAILER w/ 24x60 CHARCOAL STREETSIDE, 4-DRAWER STORAGE			
	DRAWING NUMBER A47469		 NOTICE: THIS DOCUMENT AND ITS CONTENTS ARE THE PROPERTY OF YODER SMOKERS, INC. NO USE OR COPIES MAY BE MADE WITHOUT WRITTEN PERMISSION.	
	DRAWN BY JE	DATE 5/23/16		



 3RD ANGLE PROJECTION	SHEET SIZE B	DO NOT SCALE DRAWING	MATL #	REV
	3 OF 4	MATERIAL SPEC. SEE BOM	__	__
UNLESS OTHERWISE SPEC. DIMNS. IN INCHES ANSI Y14.5 - 1994 STD. TOLERANCES X.X ± .060 X.XX ± .030 X.XXX ± .010 FRAC.DIM. ± 1/32 DEG. ± 1 BREAK ALL EDGES 010 - 015	DESCRIPTION YS, ASSEMBLY, SANTA FE TRAILER w/ 24x60 CHARCOAL STREETSIDE, 4-DRAWER STORAGE		DRAWING NUMBER A47469	
	DRAWN BY JE	DATE 5/23/16	 NOTICE: THIS DOCUMENT AND ITS CONTENTS ARE THE PROPERTY OF YODER SMOKERS, INC. NO USE OR COPIES MAY BE MADE WITHOUT WRITTEN PERMISSION.	

A47469



 3RD ANGLE PROJECTION	SHEET SIZE B	DO NOT SCALE DRAWING	MATL #	REV
	4 OF 4	MATERIAL SPEC. SEE BOM	---	---
UNLESS OTHERWISE SPEC. DIMNS. IN INCHES ANSI Y14.5 - 1994 STD. TOLERANCES X.X ± .060 X.XX ± .030 X.XXX ± .010 FRAC.DIM. ± 1/32 DEG. ± 1 BREAK ALL EDGES 010 - 015	DESCRIPTION YS, ASSEMBLY, SANTA FE TRAILER w/ 24x60 CHARCOAL STREETSIDE, 4-DRAWER STORAGE		DRAWING NUMBER A47469	
	DRAWN BY JE	DATE 5/23/16	 NOTICE: THIS DOCUMENT AND ITS CONTENTS ARE THE PROPERTY OF YODER SMOKERS, INC. NO USE OR COPIES MAY BE MADE WITHOUT WRITTEN PERMISSION.	