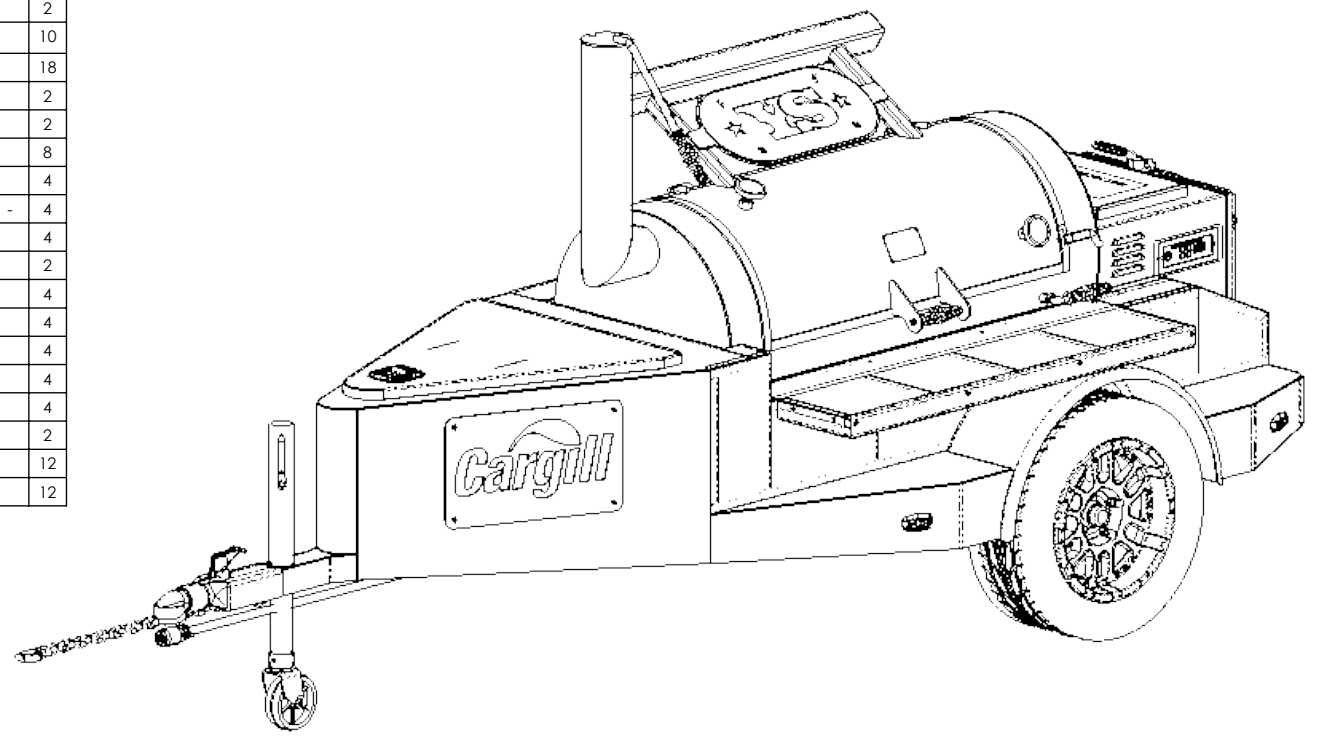


ITEM	PART #	DESCRIPTION	REV	QTY
1	A47955	YS, ASSEMBLY, 1 1/2" GREASE DRAIN, 8" MID PIPE	-	1
2	A90423	YS, IGNITER ASSEMBLY, 120V	C	1
3	A91688	YS, ASSEMBLY, CIMARRON PELLET HOPPER/FIREBOX, 120V	E	1
4	A91791	YS, ASSEMBLY, THERMOCOUPLE, CIMARRON PELLET	-	1
5	A91841	YS, BOX ASSEMBLY, BUCKET/ HARDWARE/ PAINT	B	1
6	W41523	YS, WELDMENT, DAMPER HANDLE, FIREBOX	B	1
7	W47745	YS, WELDMENT, FIREBOX DOOR, KINGMAN / WICHITA, NO GURU	B	1
8	W48600	YS, TRAILER BODY WELDMENT, SMALL CIMARRON COMP TRAILER	-	1
9	W48624	YS, WELDMENT, ENCLOSURE MOUNTING PLATE	-	1
10	W48630	YS, WELDMENT, TONGUE BOX LID, SMALL CIMARRON COMP TRAILER	-	1
11	W48644	YS, WELDMENT, REMOVABLE 2nd SHELF RAIL, CIMARRON	-	2
12	W90866	YS, WELDMENT, HMP HANDLE, ROUND PELLET	B	1
13	W91078	YS, WELDMENT, BURN GRATE, PELLET	A	1
14	W91578	YS, WELDMENT, HMP RIGHT, CIMARRON PELLET	B	1
15	W91579	YS, WELDMENT, HMP LEFT, CIMARRON PELLET	A	1
16	W91587	YS, WELDMENT, HMP SLIDER, CIMARRON PELLET	A	1
17	W91724	YS, WELDMENT, FRONT HOPPER COVER, CIMARRON PELLET	-	1
18	W91772	YS, WELDMENT, FIREPOT MOUNT, CIMARRON & 1500, PELLET	A	1
19	W92090	YS, WELDMENT, COOKING GRATE, 26x54 CIMARRON, STAINLESS	-	2
20	W92100	YS, WELDMENT, 2nd SHELF, 26x54 CIMARRON, STAINLESS	-	1
21	W92110	YS, WELDMENT, GRILL GRATE SUPPORT FRAME, STAINLESS, CIMARRON	-	1
22	W92126	YS, WELDMENT, SMOKER, CIMARRON PELLET TRAILER MOUNTED	-	1
23	22280	U CLIP NUT, 3/8-16	-	4
24	22860	YS, TAG, SERIAL NUMBER	-	1
25	22866	YS, HANDLE, SPRING, 5.75" LONG, 1/2" HOLE	-	5
26	22924	PUSH CAP, NICKEL PLATED, 3/8", 94803A031	-	3
27	23108	PUSH CAP, NICKEL PLATED, 1/2", 94803A050	-	3
28	23470	INSULATION, INSULFRAX, 6# DENSITY - 1" THICK x 1 SQ FT	-	1
29	23721	TRAILER, JACK, CASTER WHEEL FOR 23720	-	1
30	23758	TRAILER, LUG NUT, CHROME, 1/2-20	-	10
31	23988	CORD GRIP, CABLE GLAND, 1/2" NPT, .23-.47", w/O-RING & LOCK NUT	-	1
32	24019	GRAVEL GUARD, VINYL, ADHESIVE BACKED, 9" WIDE	-	1
33	24025	MARINE BATTERY BOX	-	1
34	24086	GAS SPRING, 15.24" EXT, 9.76" COMP, 60#, C16-24189 / 4138T556	-	2
35	24142	TRAILER, SAFETY CHAIN PAIR, CLASS II, 3500#	-	1
36	24171	YS, TEMP GAUGE, 3", TEL-TRU UT300, 3" STEM, CUSTOM DIAL	-	2
37	24191	CORD, ELECTRICAL SJ12/3	-	1
38	24197	NUT, JAM, 1/2" NPT, NICKEL PLATED BRASS	-	2
39	24237	LATCH, SIDE BOLT, FLUSH, PUSH TO CLOSE, BLACK, W/KEYS	-	1
40	24243	TRAILER, TIRE, 245/50-16	-	2
41	24254	TRAILER, CONNECTOR ASSY, 8FT, 7-STRAND, 7-POLE RV	-	1
42	24255	TRAILER, BOX, JUNCTION, W/HARDWARE, 7 STUD, J-JB-4	-	1
43	24256	CONNECTOR, WIRE, #10 RING, 12-10 GA, W/SHRINK	-	5
44	24257	CONNECTOR, WIRE, #10 RING, 16-14 GA, W/SHRINK	-	9
45	24258	CONNECTOR, WIRE, BUTT, 14-16 AWG, MULTI, W/SHRINK	-	14
46	24273	CORD GRIP, STRAIGHT, LIQUID TIGHT, 1/2" NPT, 0.1-0.2", SR502	-	1
47	24340	EDGE TRIM, 1/8" GRIP, 7/16" TOP BULB, FOAM RUBBER	-	1
48	24384	PIPE, NIPPLE, 1 1/2" x 6", BLK, SCH 40	-	1
49	24596	Power Cord, 25ft, NEMA 5-15P to RIGHT ANGLE IEC-320-C13, 18AWG	-	1
50	24649	PIN, CLEVIS, 1/2 x 4, BENT-PULL, ZINC PLATED	-	1
51	41435	YS, ROD HANDLE, 3/8" x 7.75" LONG, ZINC	-	1
52	41597	YS, TRAILER, GRILL MOUNT TAB	-	2
53	45505	YS, COMP CART, 36x108, STAINLESS FRONT SHELF ENDCAP, RIGHT	A	1
54	45506	YS, COMP CART, 36x108, STAINLESS FRONT SHELF ENDCAP, LEFT	A	1
55	46130	YS, COUNTERWEIGHT SIGN, COMPETITION CART, 23 x 10 1/2	-	1
56	46464	YS, LIGHT, STT, OVAL, LED, SURFACE MOUNT, 4" x 2 1/2"	-	2
57	46532	Trailer, Wheel, Aluminum, Black/Mach, 16" x 8", 5 on 5 1/2	-	2
58	46827	BATTERY, 12V, MARINE, DEEP-CYCLE, AGM, DEKA 8A24M	-	1
59	47712	WIRE, PRIMARY, 10GA, RED, SXL	-	1
60	47797	YS, STRIKER TAB, TONGUE BOX	-	1

ITEM	PART #	DESCRIPTION	REV	QTY
61	48312	YS, LAMP, CLEARANCE, 3-1/4" DIAMOND, AMBER LED, PC	-	2
62	48313	YS, LAMP, CLEARANCE, 3-1/4" DIAMOND, RED LED, PC	-	2
63	48314	YS, LAMP, CLEARANCE, BEZEL ONLY, BLACK, FOR 48312 & 48313	-	4
64	48647	YS, STAINLESS FRONT SHELF, SMALL CIMARRON COMP TRAILER	-	1
65	90377	THUMBSCREW, 5/16-18 X 3/4	-	1
66	91411	YS, GRILL GRATE, PANEL, 5 1/2" x 24" (1500)	-	4
67	91415	YS, HINGE, DOOR, 3" x 1 1/2", 5-HOLE, SS, VERT. PELLET SMOKER	-	3
68	91420	Plug, Panel, 1.125" Hole, 1.5" Dia, Plastic, Black	-	2
69	91632	YS, BAFFLE PLATE, FAN SHIELD, CIMARRON PELLET	B	1
70	91658	YS, AUGER COVER/DIFFUSER MOUNT, 1500	-	1
71	91689	YS, BOTTOM COVER PLATE, CIMARRON PELLET	A	1
72	91738	YS, PLATE, SLIDE DAMPER, CIMARRON PELLET	-	1
73	91741	YS, COVER, PROBE PORT, PELLET	-	1
74	91742	WASHER, FLAT, #10, 3/4 OD, 0.030 THICK, SS	-	1
75	91762	SPACER, #10, 5/16 OD, 1/8 LONG	-	1
76	91775	YS, BRACKET, THERMOCOUPLE SHIELD, CIMARRON	-	1
77	92122	YS, SIGN, CARGILL, CIMARRON COMP TRAILER	-	2
78	1024FHN	Nut, Hex, Flange, 10-24	-	15
79	1024FLN	NUT, HEX, FLANGE, LOCK, 10-24	-	1
80	1024X12HHSTS	SCREW, SLOTTED, HEX HEAD, SELF THREADING, 10-24 X 1/2	-	5
81	1024X12PHMSP	1024X12PHMSP	-	4
82	1024X34BHCSSS	SCREW, CAP, BUTTON HEAD, 10-24 x 3/4", STAINLESS	-	1
83	1024X58FHMSSS	SCREW, MACHINE, FLAT HEAD, PHILLIPS, 10-24 x 5/8, STAINLESS	-	19
84	1032X12PHMSP	SCREW, MACHINE, PAN HEAD, PHILLIPS, 10-32 x 1/2"	-	4
85	1213HJN	NUT, HEX, JAM, 1/2-13, GR5, ZN	-	1
86	1213X1BHCSSS	SCREW, CAP, BUTTON HEAD, 1/2-13 x 1", STAINLESS	-	6
87	14FW	WASHER, FLAT, 1/4"	-	2
88	1420FHN	Nut, Hex, Flange, 1/4-20	-	10
89	1420X12BHCSSS	SCREW, CAP, BUTTON HEAD, 1/4-20 x 1/2", STAINLESS	-	18
90	1420X34HB	BOLT, HEX, 1/4-20 x 3/4", GR5, ZN	-	2
91	1420X38PPHMSSS	SCREW, MACHINE, PH, PHILLIPS, 1/4-20 x 3/8, STAINLESS	-	2
92	1420X34BHCSSS	SCREW, CAP, BUTTON HEAD, 1/4-20 x 3/4", STAINLESS	-	8
93	236-2489-02	RIVET, POP, 1/8 DIA. X 3/8 GRIP	-	4
94	3816X1FHB	BOLT, HEX, FLANGE, 3/8-16 x 1, GR5, ZN	-	4
95	516FW	WASHER, FLAT, 5/16" USS	-	4
96	5811HN	NUT, HEX, 5/8-11, GR5, ZN	-	2
97	51618FHN	NUT, HEX, FLANGE, 5/16-18, GR5, ZN	-	4
98	51618HN	NUT, HEX, 5/16-18, GR5, ZN	-	4
99	51618X1FHB	BOLT, HEX, FLANGE, 5/16-18 x 1, GR5, ZN	-	4
100	51618X2HB	BOLT, HEX, 5/16-18 x 2", GR5, ZN	-	4
101	51618X34HB	BOLT, HEX, 5/16-18 x 3/4", GR5, ZN	-	4
102	701-212-02	COTTER, HAIRPIN, 1/8 DIA X 2-3/8, 1/2 TO 5/8 PIN	-	2
103	832HN	NUT, HEX, 8-32, GR2, ZN	-	12
104	832X34PHMSP	SCREW, MACHINE, PAN HEAD, PHILLIPS, 8-32 x 3/4"	-	12

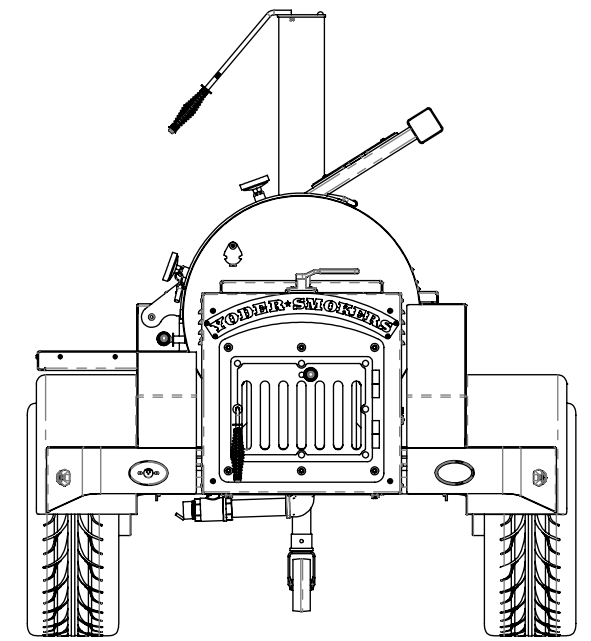
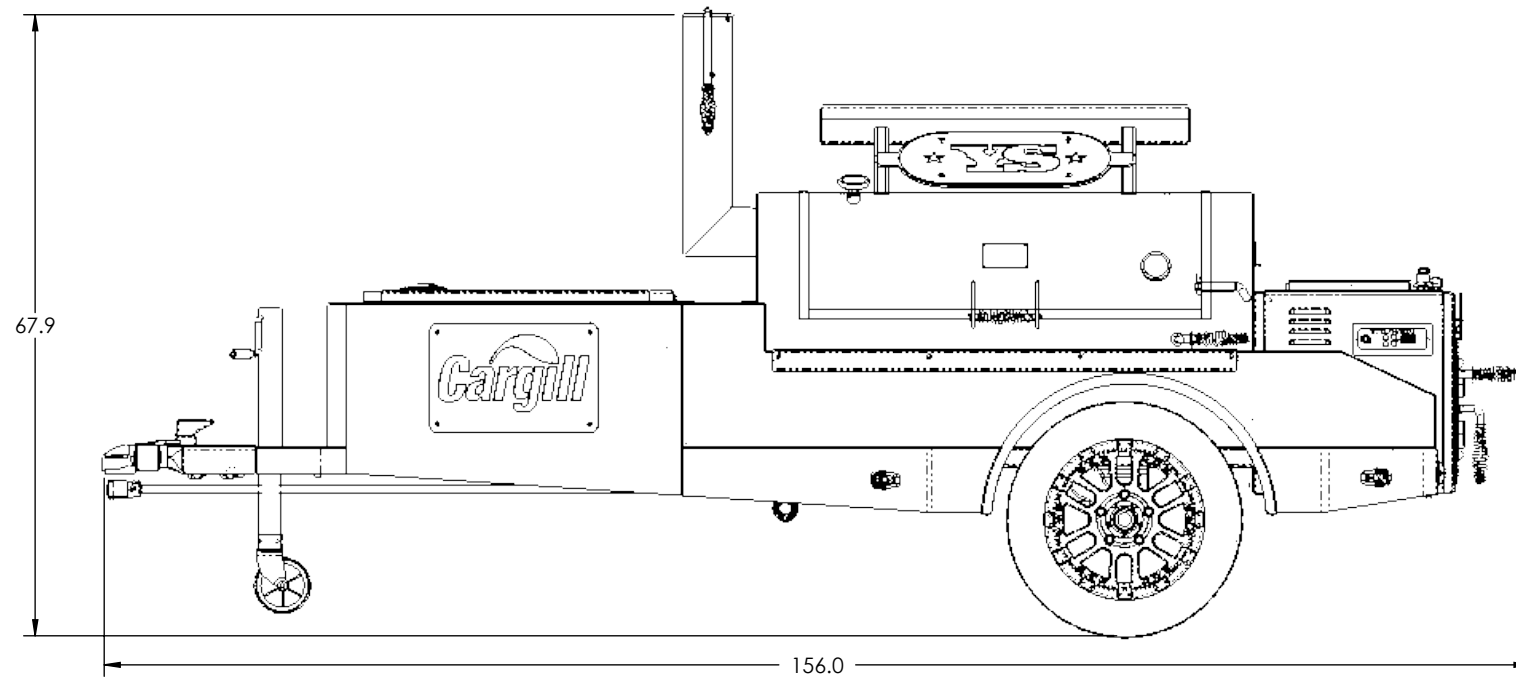
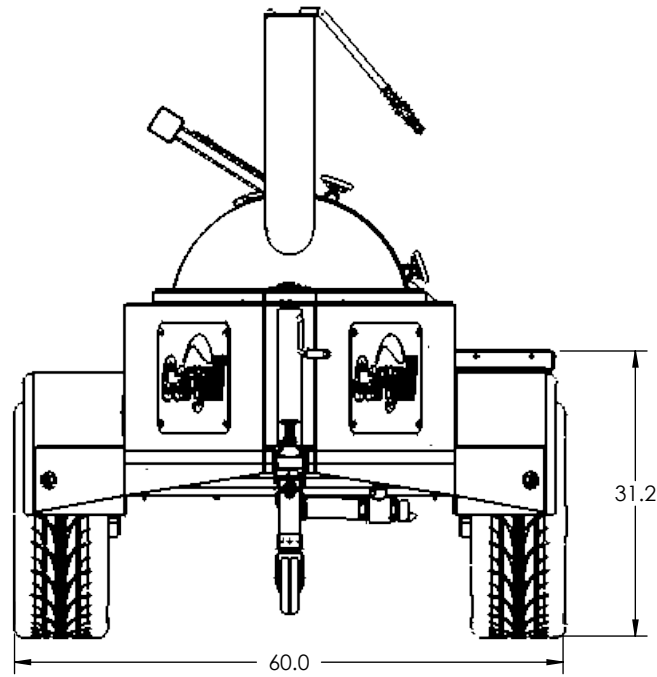
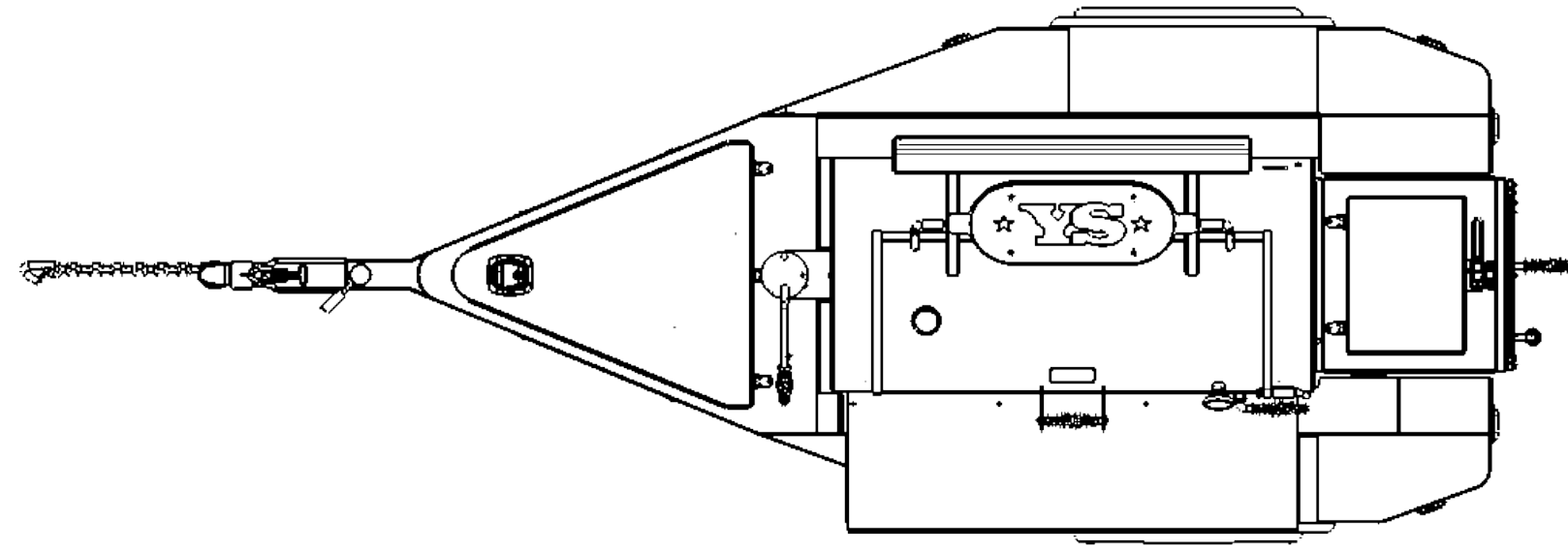


REV 0 - CANDY WEAVER
REV A - CARGILL

REVISIONS				
ECN	REV.	DESCRIPTION	DATE	APPROVED
00718	A	DESIGN CHANGES FOR PRODUCTION	7/13/16	JE

	SHEET SIZE B	DO NOT SCALE DRAWING	MATL # --	REV A
	1 PAGE OF 2	MATERIAL SPEC. SEE BOM		
UNLESS OTHERWISE SPEC.	DESCRIPTION YS, ASM, SMALL COMP TRAILER, CIMARRON PELLET			
DIMNS. IN INCHES ANSI Y14.5 - 1994 STD. TOLERANCES X.X ± .060 X.XX ± .030 X.XXX ± .010 FRAC.DIM. ± 1/32 DEG. ± 1 BREAK ALL EDGES 010 - 015	DRAWING NUMBER A91660			
	DRAWN BY JE	DATE 12/28/17		
<small>NOTICE: THIS DOCUMENT AND ITS CONTENTS ARE THE PROPERTY OF YODER SMOKERS, INC. NO USE OR COPIES MAY BE MADE WITHOUT WRITTEN PERMISSION.</small>				

TRAILER WEIGHT APPROX: 2300 LBS.



<p>3RD ANGLE PROJECTION</p>	SHEET SIZE B	DO NOT SCALE DRAWING	MATL # --	REV A
	2 OF 2	MATERIAL SPEC. SEE BOM		
UNLESS OTHERWISE SPEC.	DESCRIPTION YS, ASM, SMALL COMP TRAILER, CIMARRON PELLET			
<p>DIMNS. IN INCHES ANSI Y14.5 - 1994 STD. TOLERANCES X.X ± .060 X.XX ± .030 X.XXX ± .010 FRAC.DIM. ± 1/32 DEG. ± 1 BREAK ALL EDGES 010 - 015</p>	DRAWING NUMBER A91660		<p>★ YODER SMOKERS ★ COMPETITION GRADE BBQ PRODUCTS</p> <p>NOTICE: THIS DOCUMENT AND ITS CONTENTS ARE THE PROPERTY OF YODER SMOKERS, INC. NO USE OR COPIES MAY BE MADE WITHOUT WRITTEN PERMISSION.</p>	
	DRAWN BY JE	DATE 12/28/17		