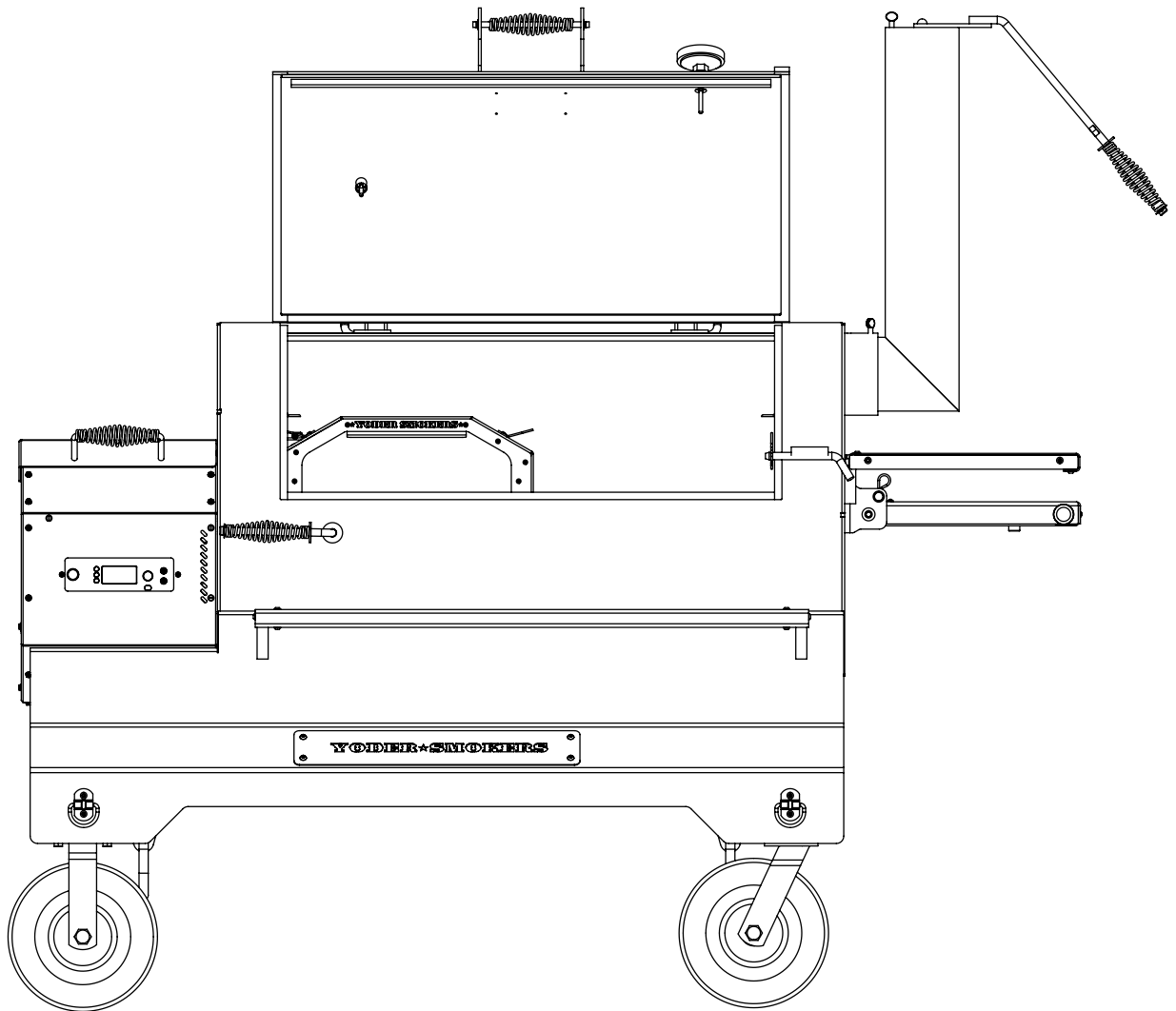


YODER SMOKERS PIZZA OVEN

YS1500 INSTALLATION INSTRUCTIONS

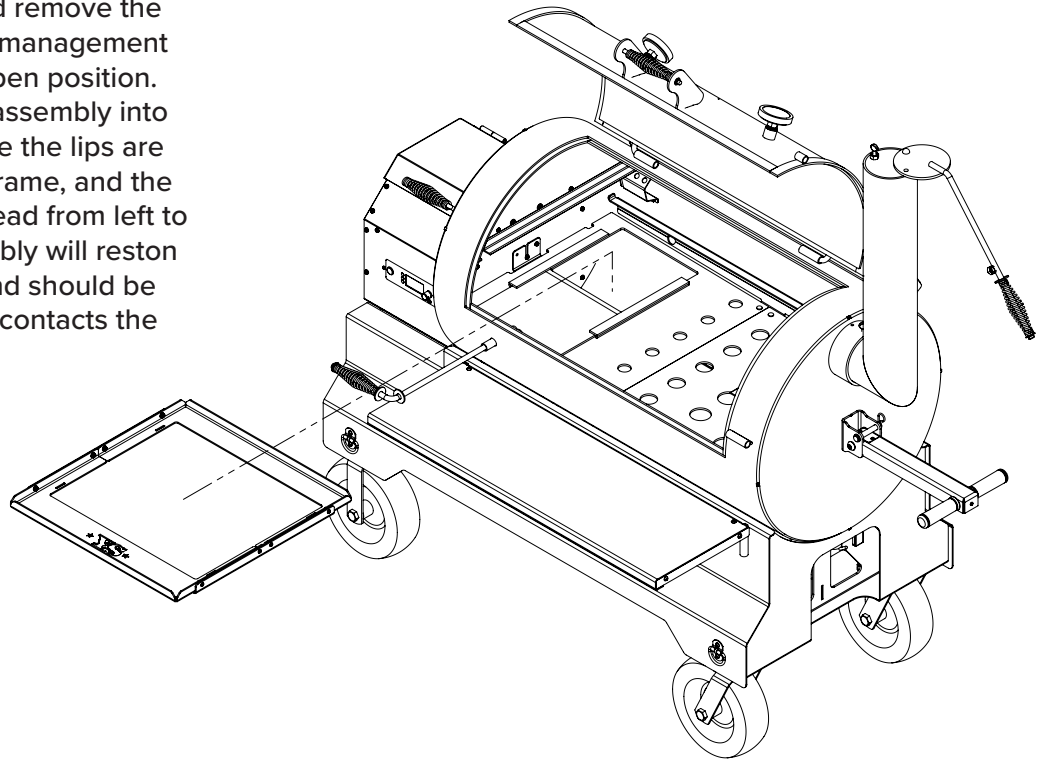


CAUTION: BEFORE BEGINNING THIS PROCEDURE, ENSURE THAT THE POWER CORD TO THE SMOKER IS DISCONNECTED! FAILING TO DO SO MAY RESULT IN BODILY INJURY.

COMPETITION CART MODELS REQUIRE UNPLUGGING THE POWER CORD FROM THE HOPPER LOCATED UNDER THE CART.

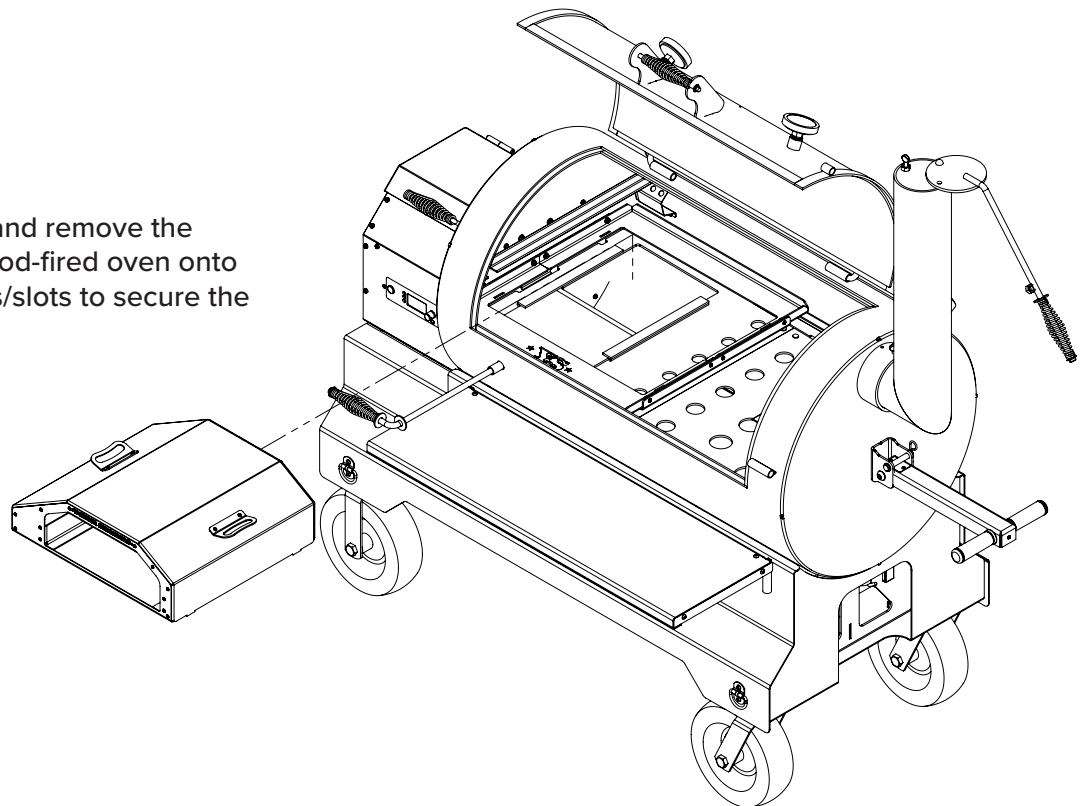
STEP 01

Open the cooking chamber and remove the cooking grates. Open the heat management plate slide damper to the full open position. Install the oven support frame assembly into the cooker as shown. Make sure the lips are facing upward on the support frame, and the YS logo is facing upward and read from left to right. The support frame assembly will rest on the lower cooking grate rails and should be slid toward the burn pot until it contacts the hopper wall.



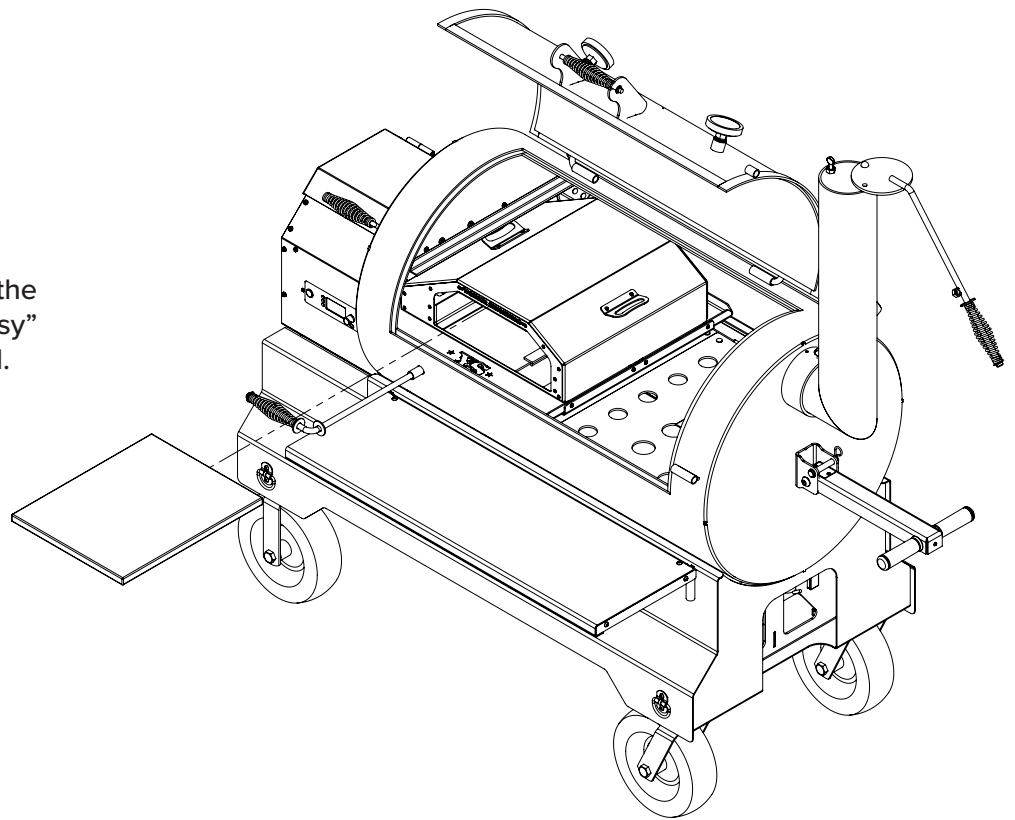
STEP 02

Open the cooking chamber and remove the cooking grates. Install the wood-fired oven onto the plate. There are four tabs/slots to secure the hood in the proper position.



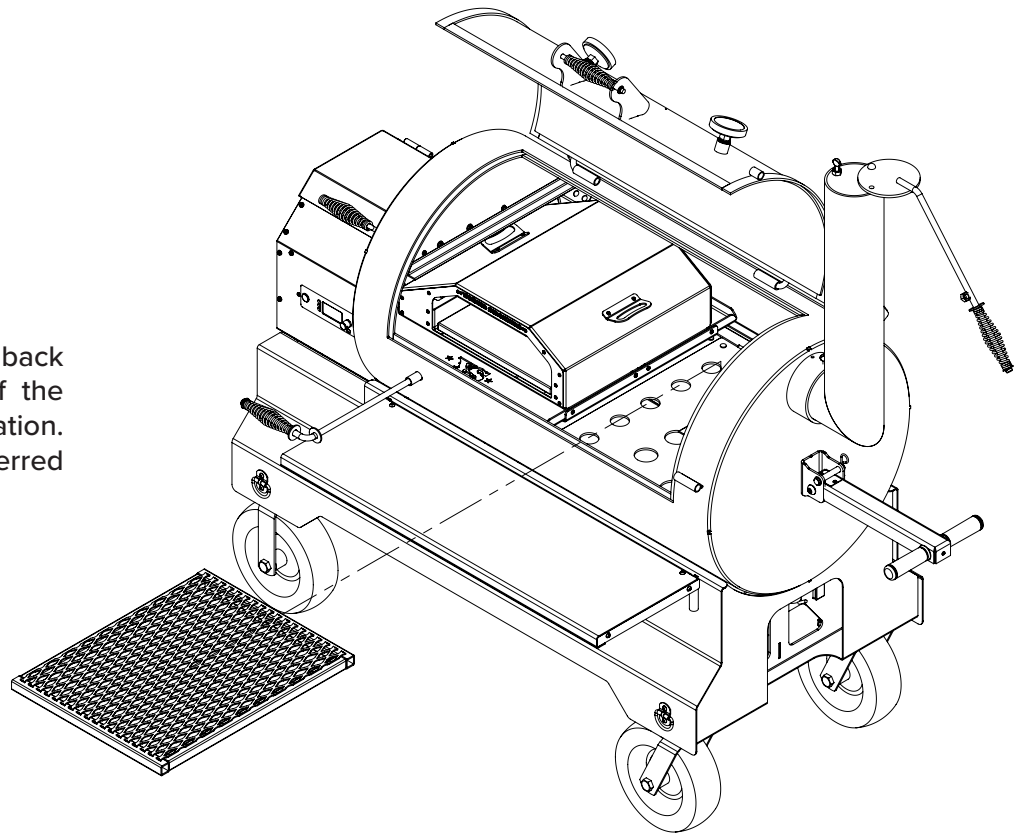
STEP 03

Place the stone on the rails inside the oven. Make sure the rough “glossy” side of the stone is facing upward.



STEP 04

Place the single cooking grate back into the chamber to the right of the oven. This completes the installation. Ignite your cooker, set your preferred temperature, and you are ready to bake.



FOR PRODUCT SUPPORT CONTACT
CustomerService@YoderSmokers.com
877.409.6337 (OPTION 2)