

S SERIES[®]

★ YODER SMOKERS ★

COMPETITION CART CONVERSION

YS480 / YS640 INSTALLATION INSTRUCTIONS
FOR THE COMPETITION CART WITH STORAGE DRAWER



CAUTION: BEFORE BEGINNING THIS PROCEDURE, ENSURE THAT THE POWER CORD TO THE SMOKER IS DISCONNECTED! FAILING TO DO SO MAY RESULT IN BODILY INJURY.

COMPETITION CART MODELS REQUIRE UNPLUGGING THE POWER CORD FROM THE HOPPER LOCATED UNDER THE CART.

★ YS ★

BEFORE YOU GET STARTED

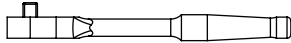
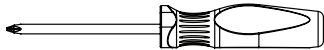


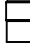

Begin by confirming all the parts included in this kit are accounted for. *Should any items be missing, please contact Customer Service for assistance at 877.409.6337 or customerservice@yodersmokers.com.*

PARTS INCLUDED

(1) Competition Cart with Drawer (6) Fasteners (Part 1420x1FHB) (6) Hex Nut (Part 1420LNN)

TOOLS YOU'LL NEED

5/16" Socket | 3/8" Socket | 7/16" Socket | 9/16" Socket
Small Phillips Head Screwdriver | Socket Wrench

SOCKET WRENCH	
NO.2 PHILLIPS HEAD SCREWDRIVER	
5/16" SOCKET OR WRENCH	
3/8" SOCKET OR WRENCH	
7/16" SOCKET OR WRENCH	
9/16" SOCKET OR WRENCH	

THINGS TO REMEMBER



UNPLUG
POWER CORD



REMOVE
COOKING GRATES



REMOVE
HEAT DIFFUSER



REMOVE
BURN GRATE

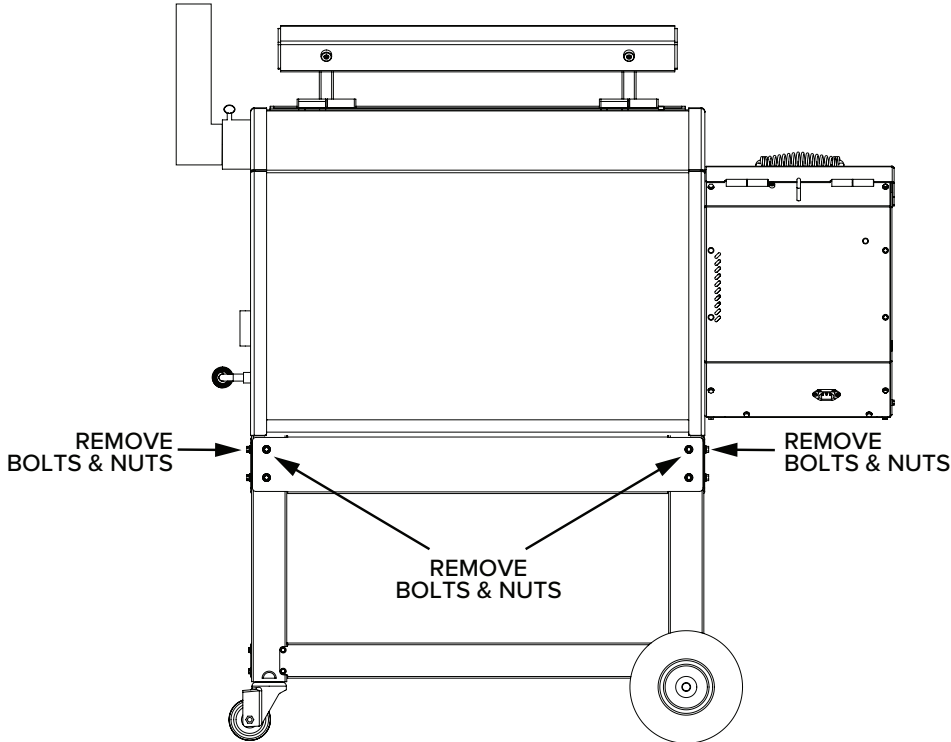
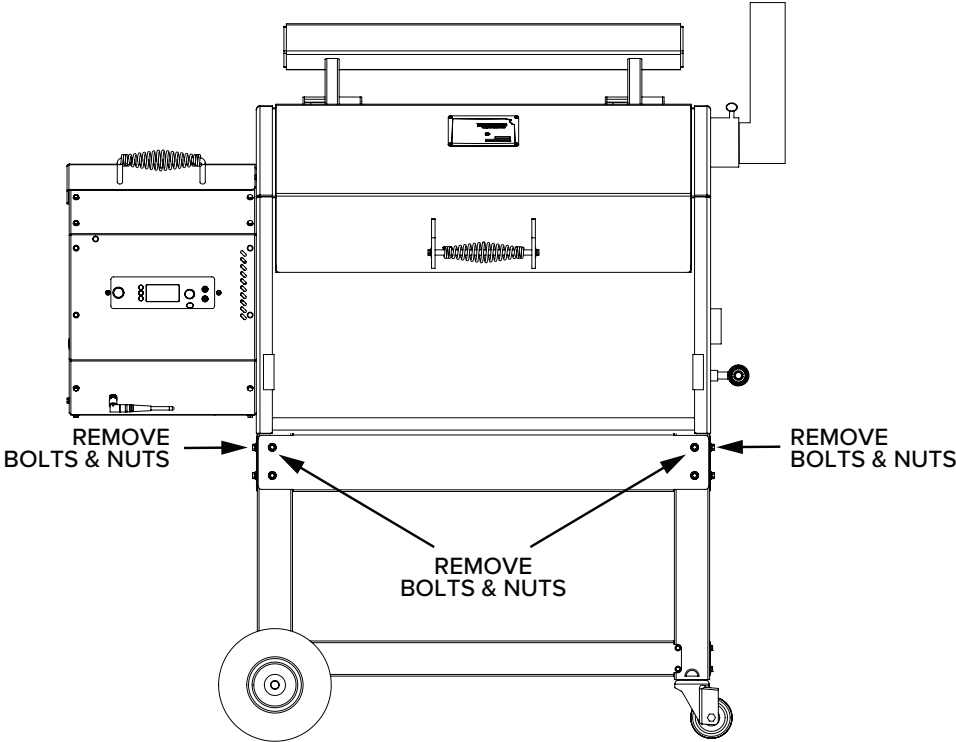


EMPTY
THE HOPPER

REMOVING THE SMOKER FROM A STANDARD CART

STEP 01

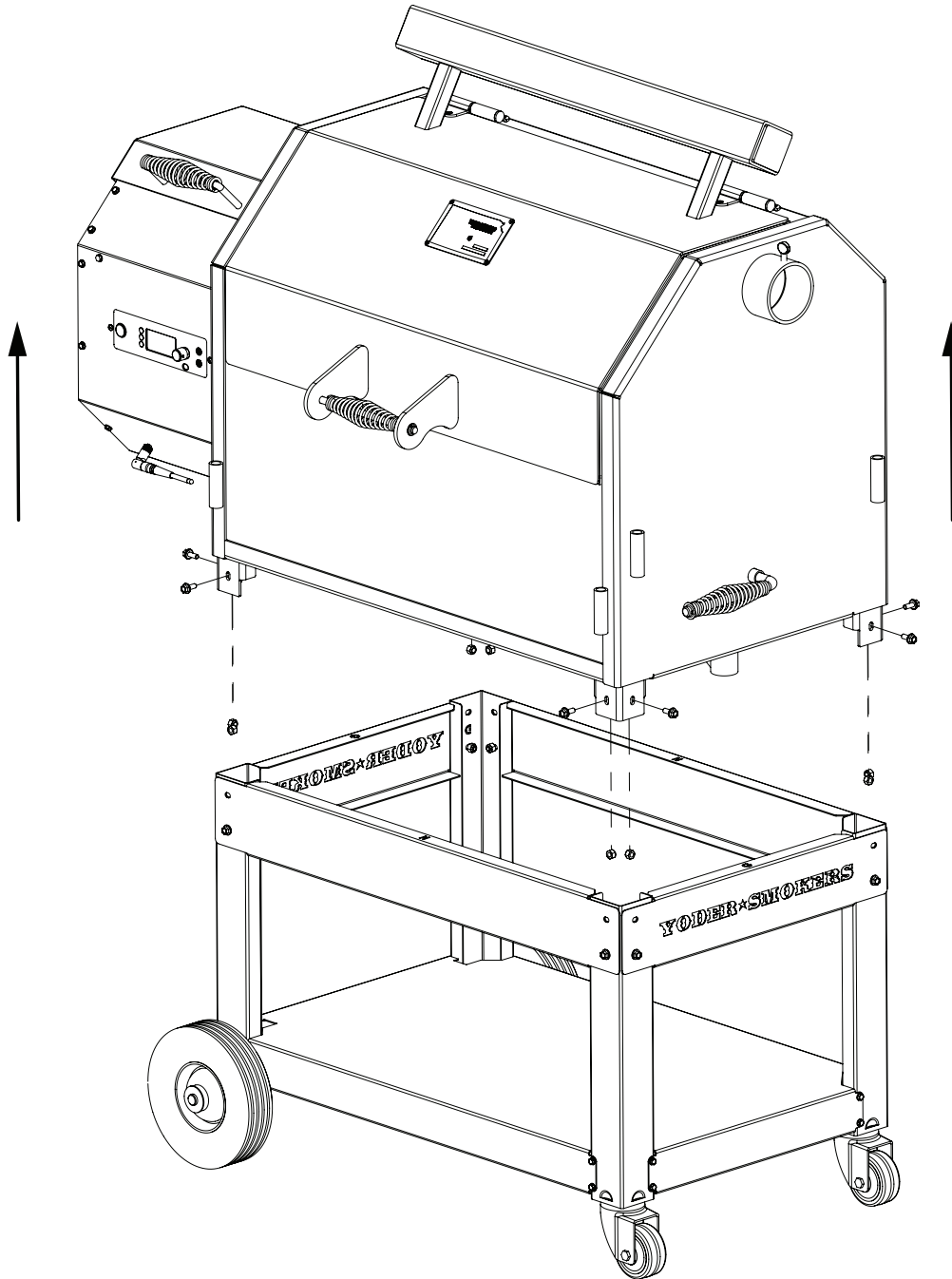
Using a 3/8" and 7/16" socket or wrench, remove the upper sets of eight 8 bolts as shown.



REMOVING THE SMOKER FROM A STANDARD CART

STEP 02

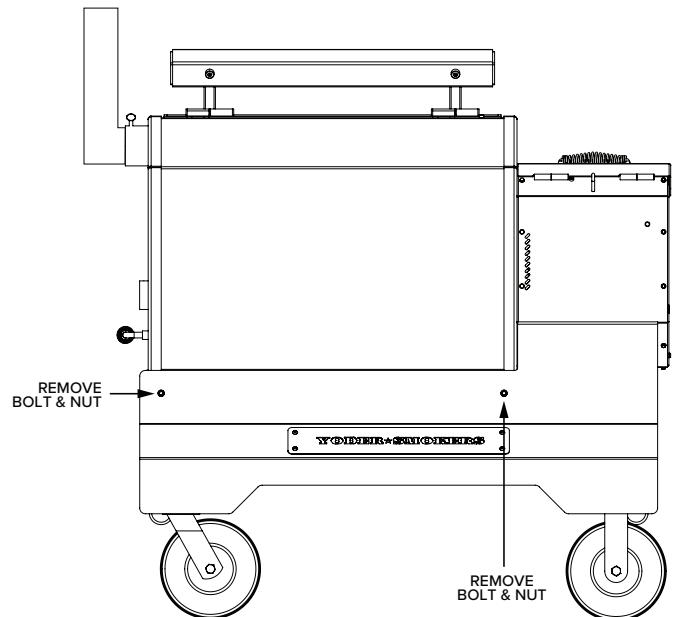
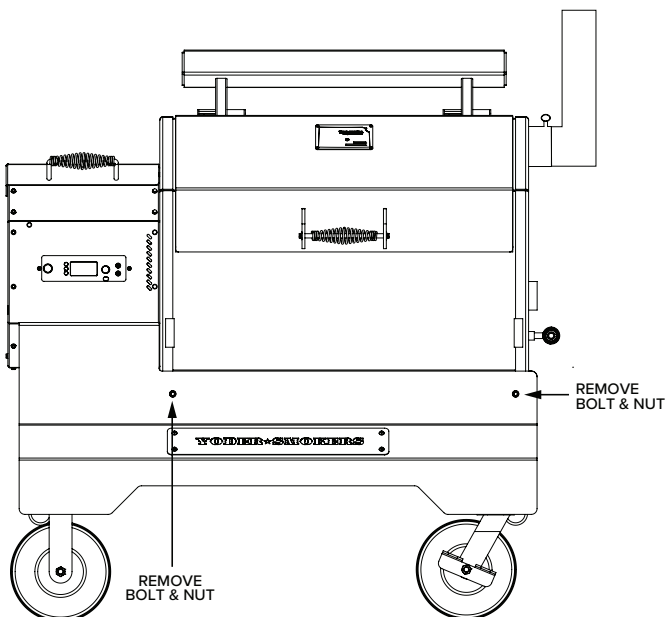
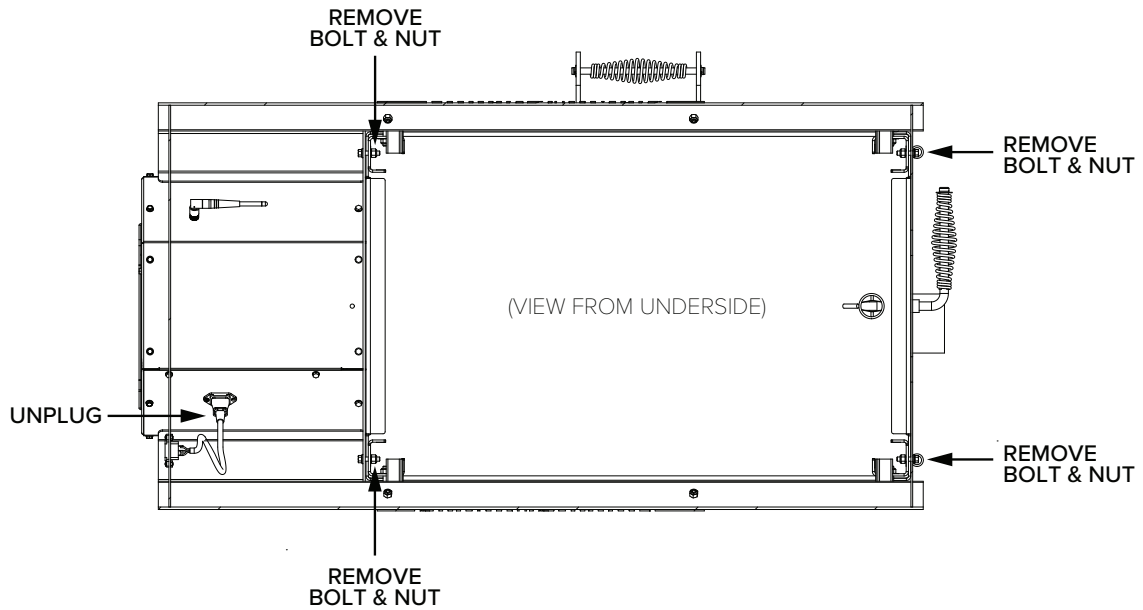
Remove the smoker from the cart. This will require the assistance of another person, and we recommend the use of a shoulder dolly for safety. The smoker chamber is very heavy.



REMOVING THE SMOKER FROM A COMPETITION CART

STEP 01

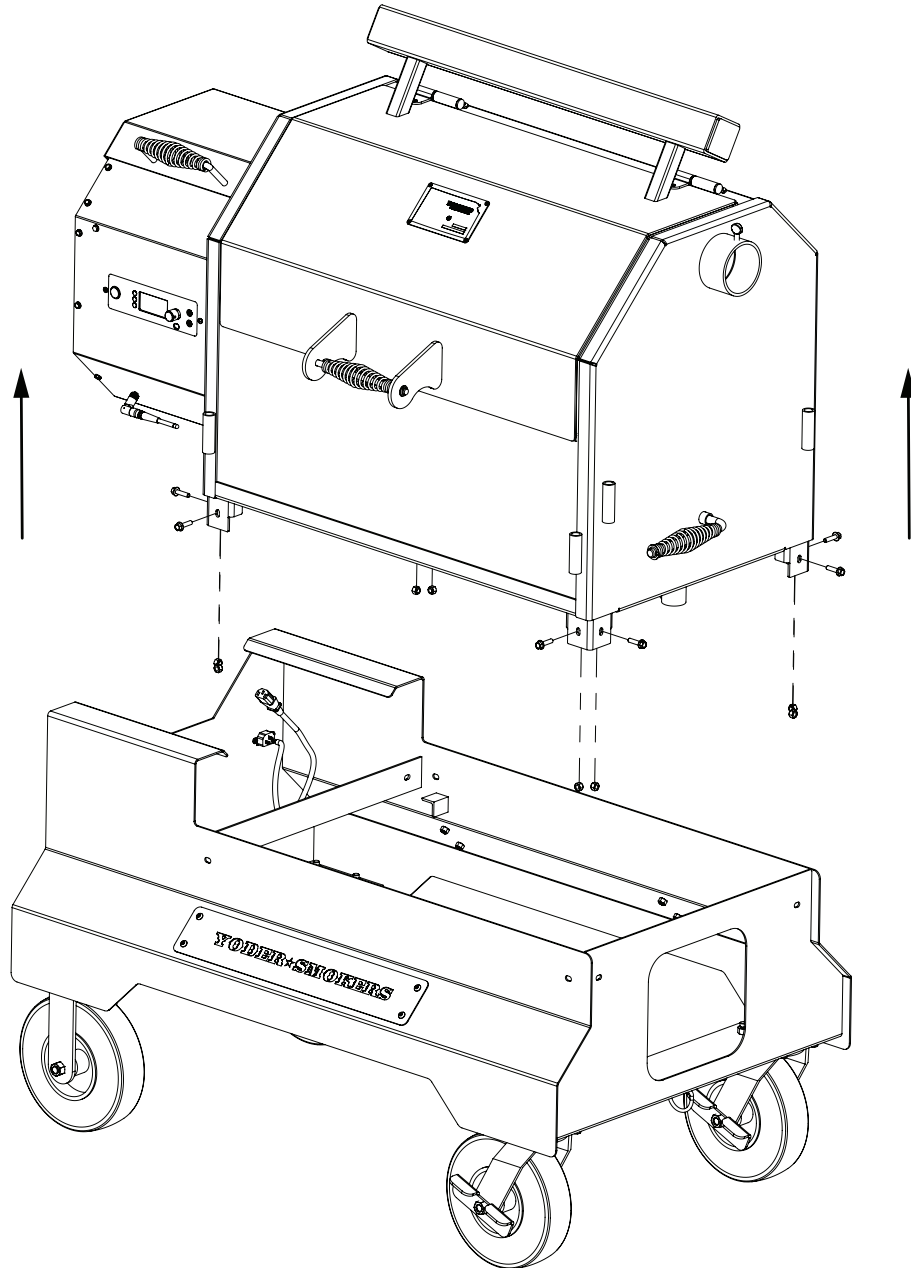
Unplug the hopper from the underside of the cart. Next, use a 3/8" and 7/16" socket to remove 8 pairs of bolts and nuts as shown below.



REMOVING THE SMOKER FROM A COMPETITION CART

STEP 02

Remove the smoker from the cart. This will require the assistance of another person, and we recommend the use of a shoulder dolly for safety. The smoker chamber is very heavy.



MOUNTING THE SMOKER ONTO THE COMPETITION CART

STEP 03

From below the cart, begin the process of installation by first removing the two screws shown in FIG 01 and rotate the access panels to the open position as shown in FIG 02. This will allow access to secure the cooker.

FIG 01

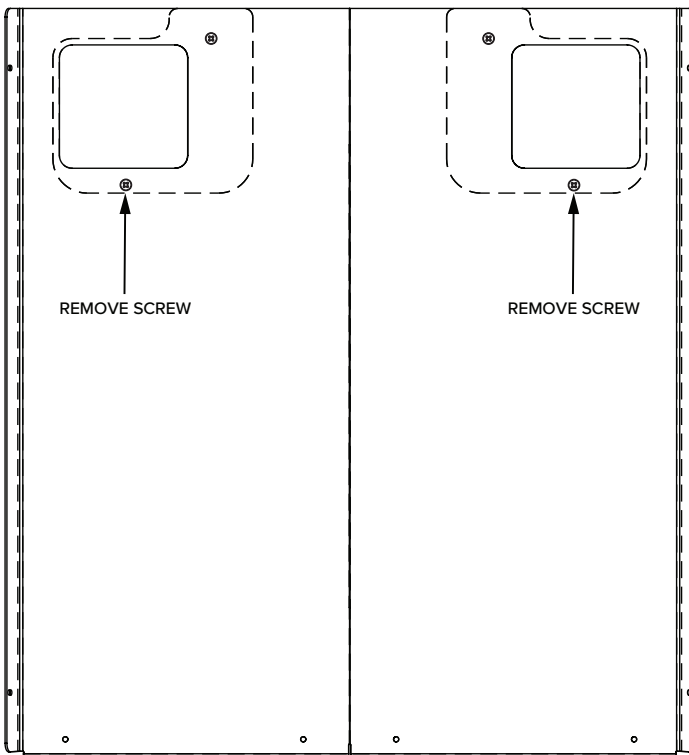
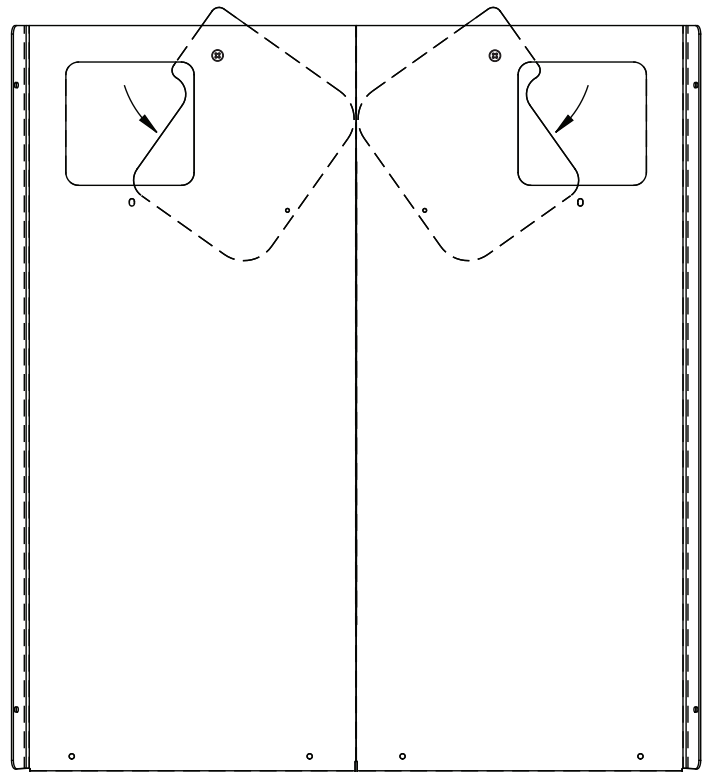


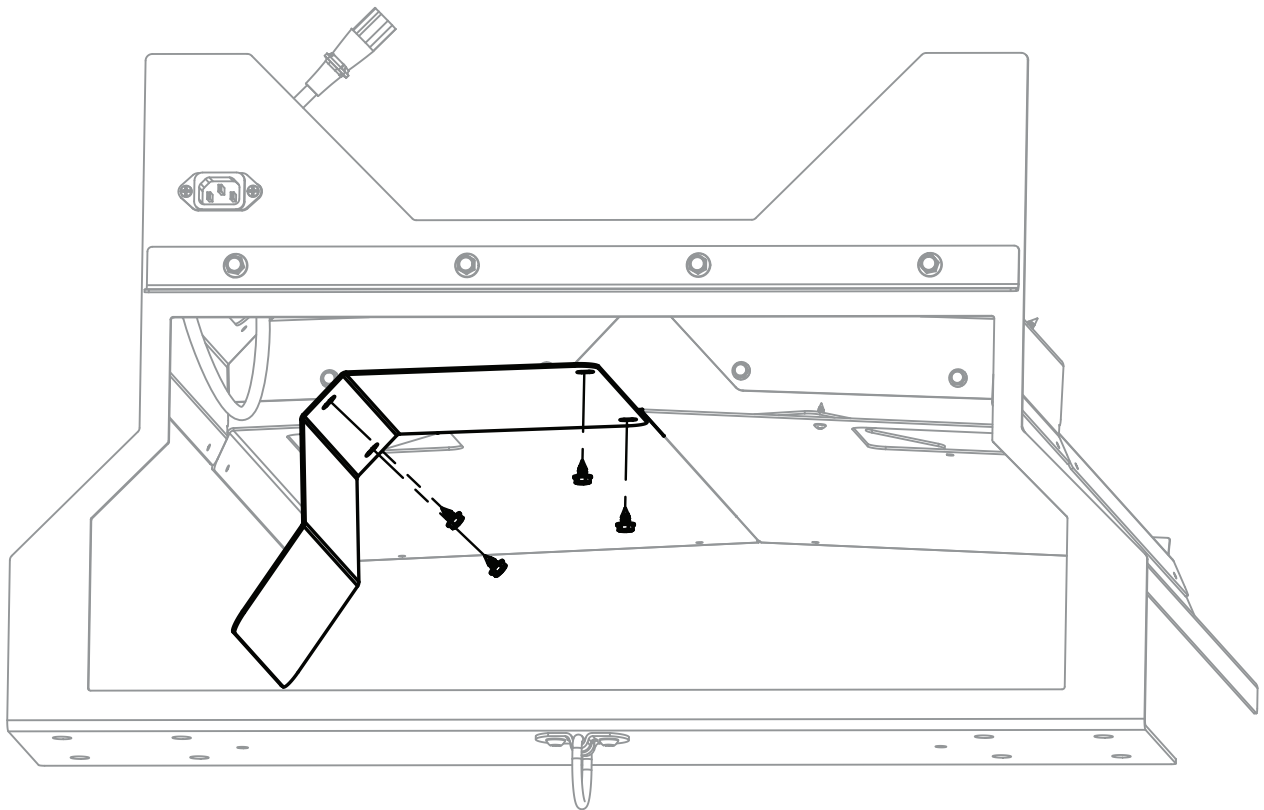
FIG 02



MOUNTING THE SMOKER ONTO THE COMPETITION CART

STEP 04

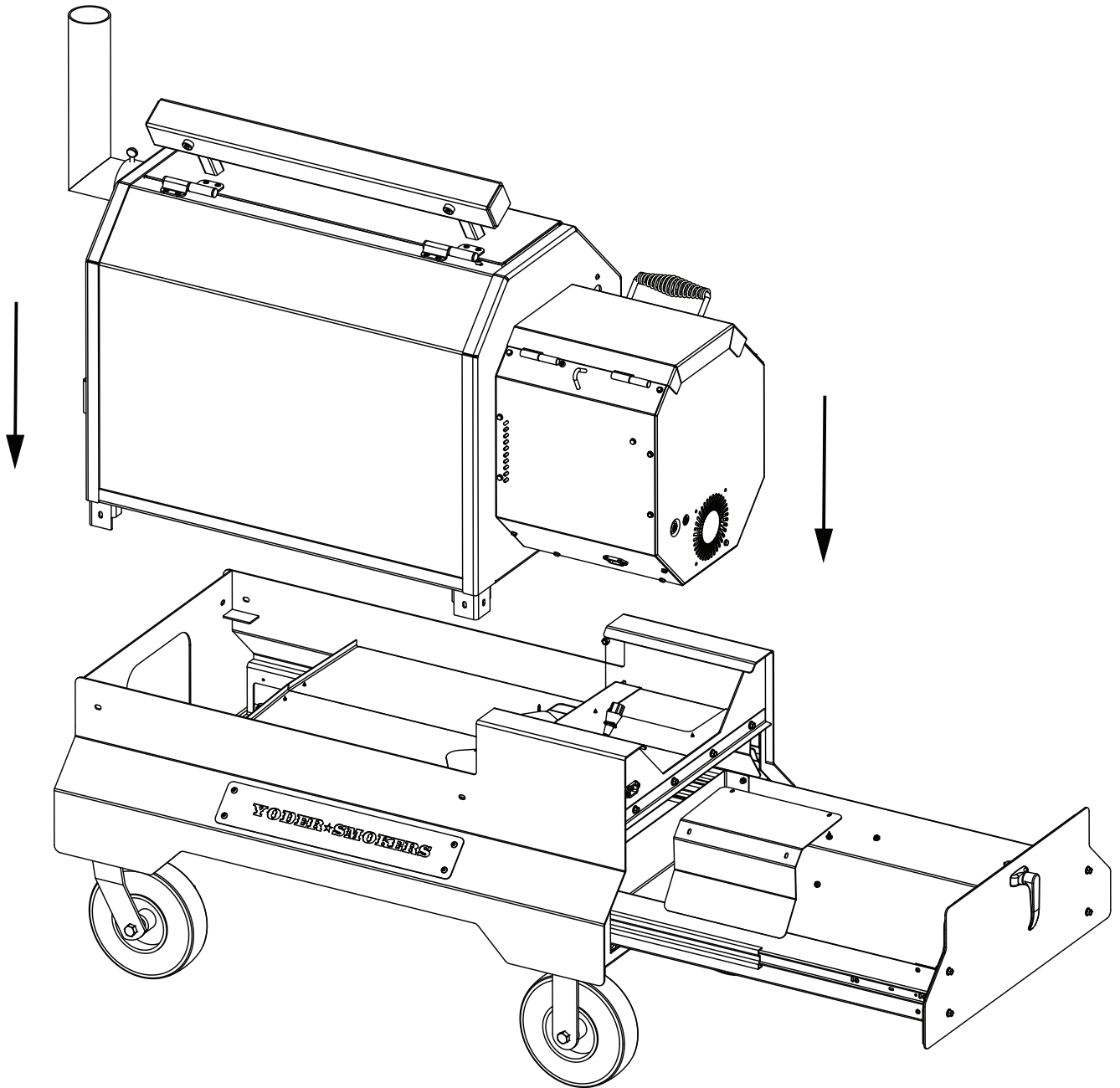
From underneath the cart, use a 5/16" to remove the four screws from the large access panel shown below and remove from the panel from the assembly.



MOUNTING THE SMOKER ONTO THE COMPETITION CART

STEP 05

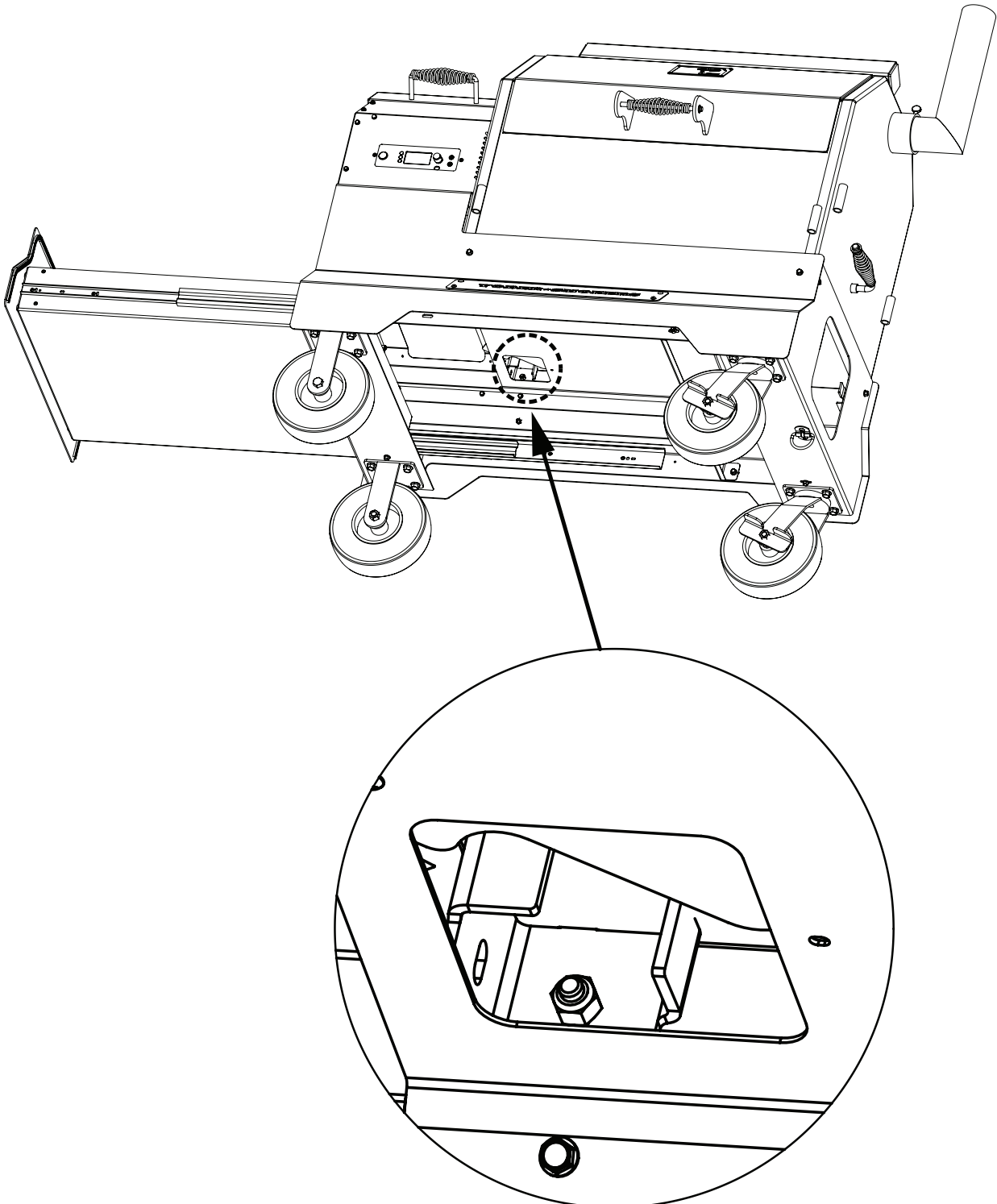
With the assistance of another person, lower the smoker onto the cart in the orientation shown below.



MOUNTING THE SMOKER ONTO THE COMPETITION CART

STEP 06

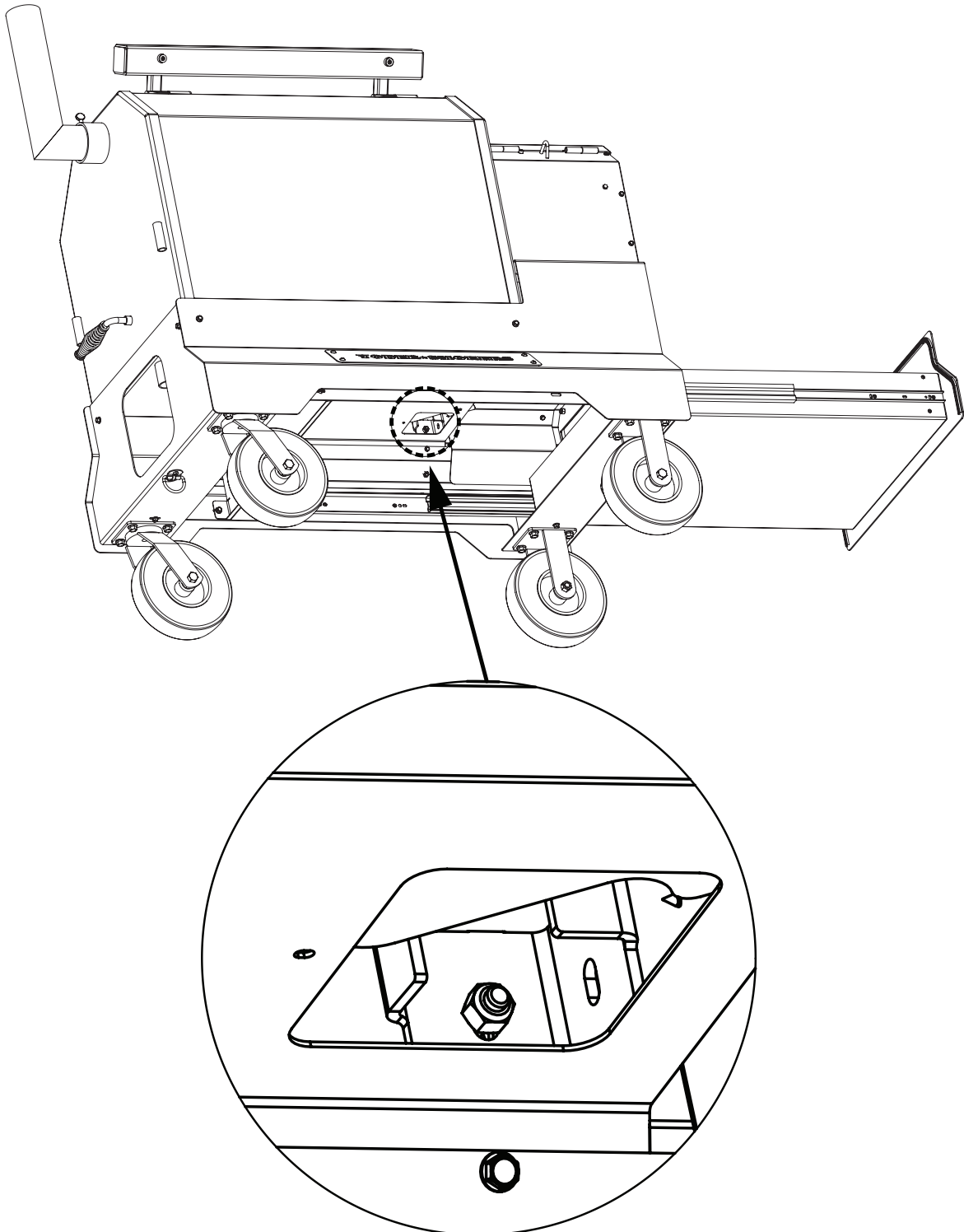
*Use a 7/16" to tighten the nuts through the small access panel as shown below.
Use a 3/8" to hold the bolts from the outside.*



MOUNTING THE SMOKER ONTO THE COMPETITION CART

STEP 07

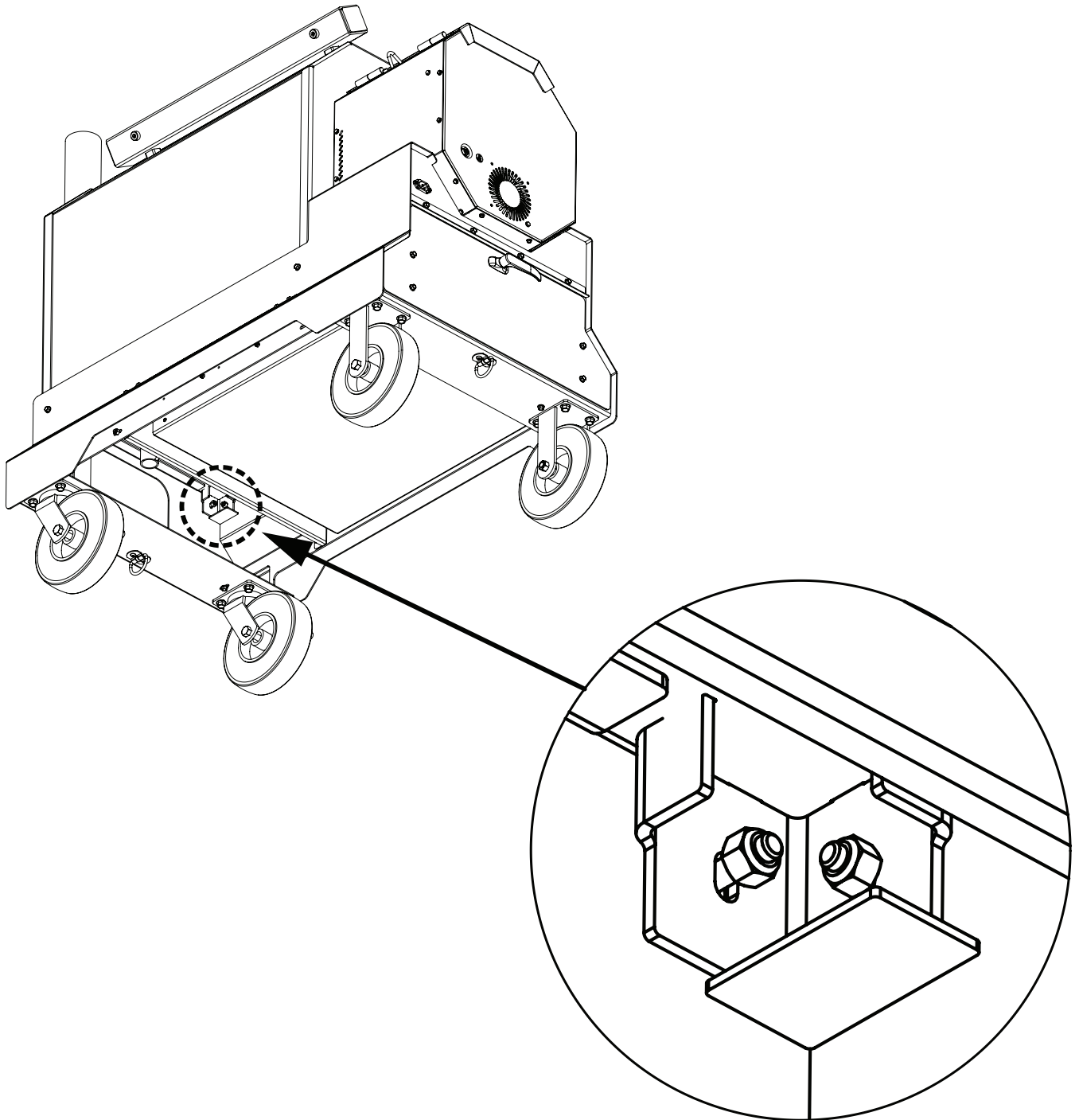
*Use a 7/16" to tighten the nuts through the small access panel as shown below.
Use a 3/8" to hold the bolts from the outside.*



MOUNTING THE SMOKER ONTO THE COMPETITION CART

STEP 08

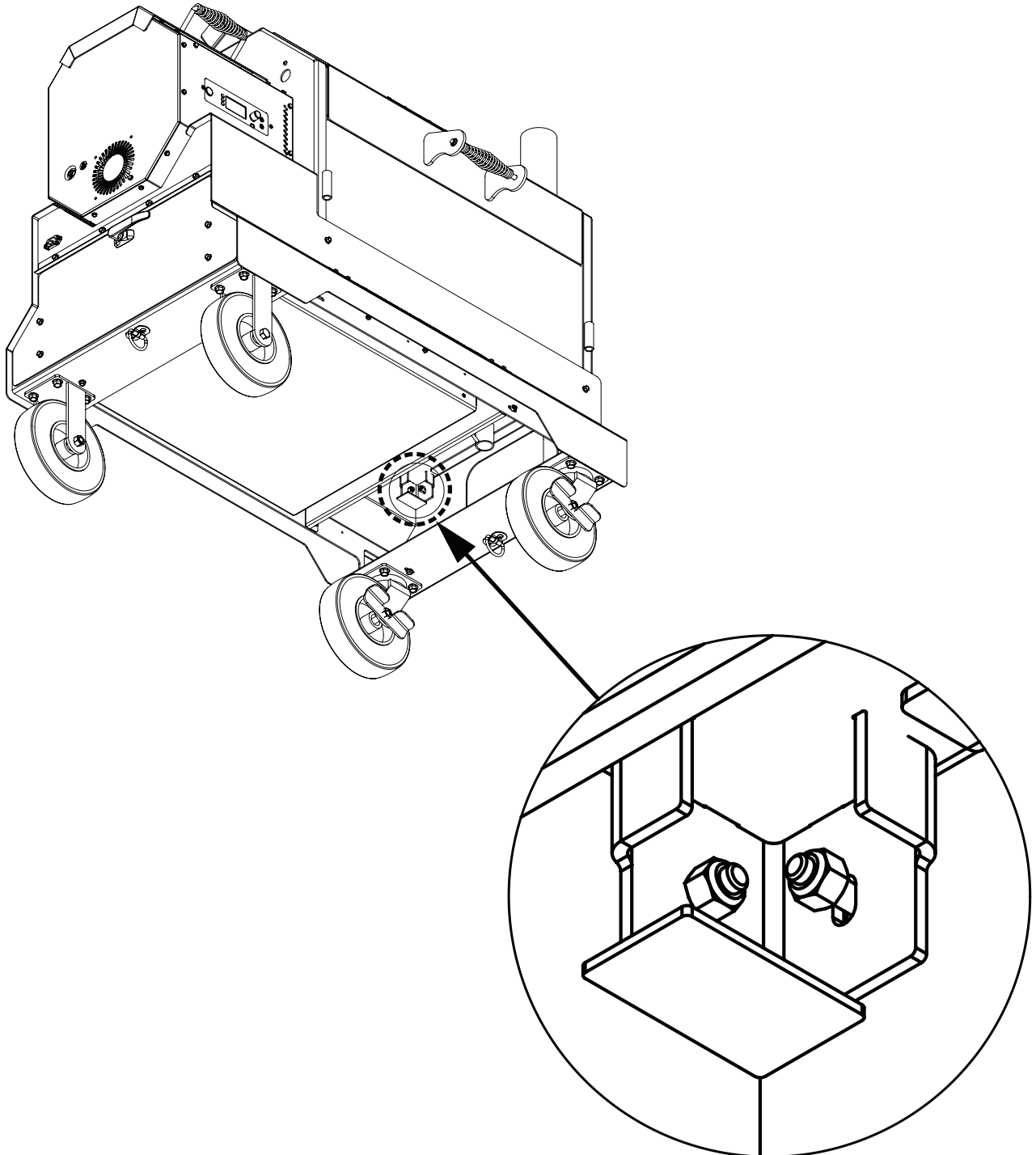
*Use a 7/16" to tighten the nuts through the small access panel as shown below.
Use a 3/8" to hold the bolts from the outside.*



MOUNTING THE SMOKER ONTO THE COMPETITION CART

STEP 09

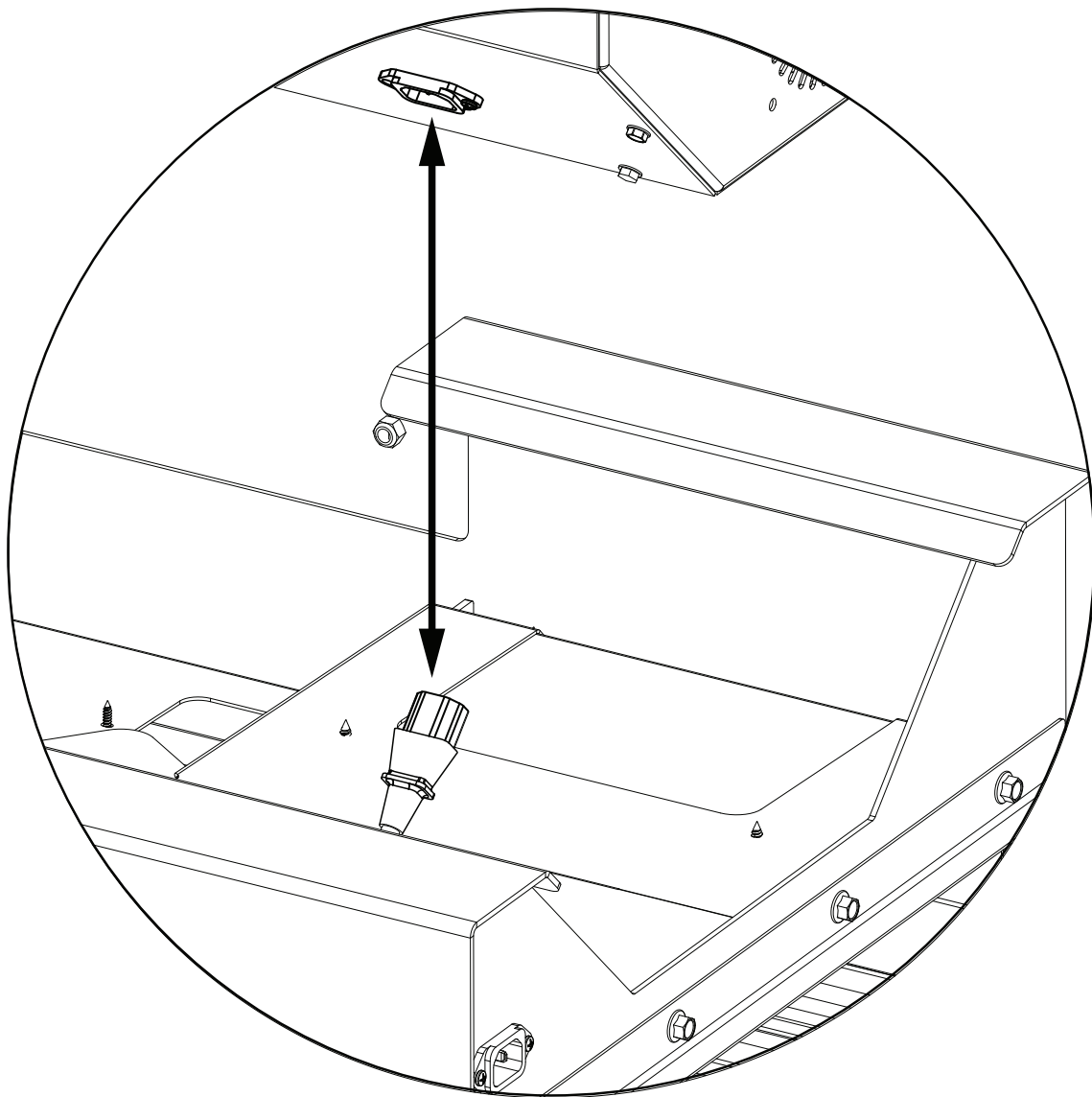
*Use a 7/16" to tighten the nuts through the small access panel as shown below.
Use a 3/8" to hold the bolts from the outside.*



CONNECTING THE POWER CABLE INSIDE THE COMPETITION CART

STEP 10

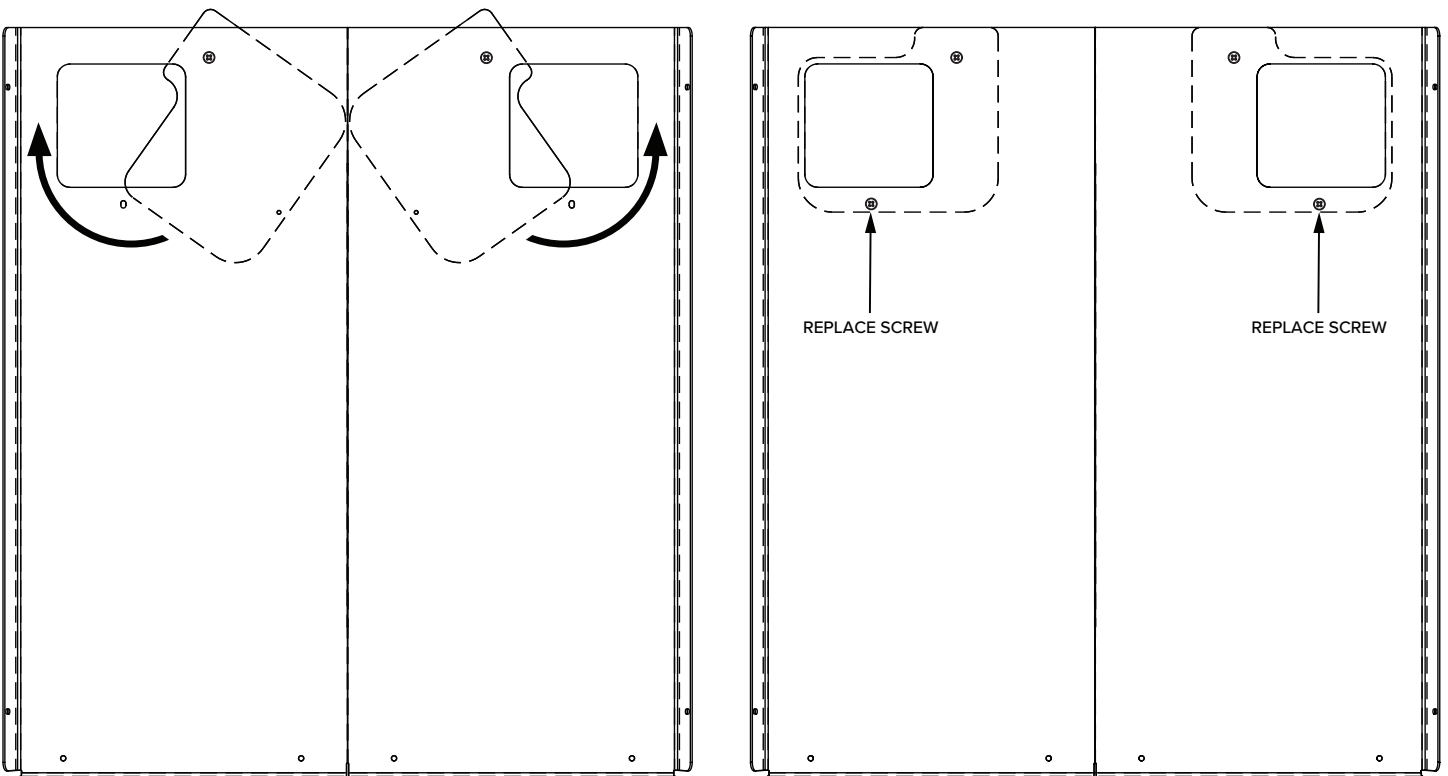
From underneath the cart, reach through the large access panel opening and plug the cord on the cart into the receptacle on the hopper.



CLOSING THE SMALL ACCESS PANELS ONTO THE COMPETITION CART

STEP 11

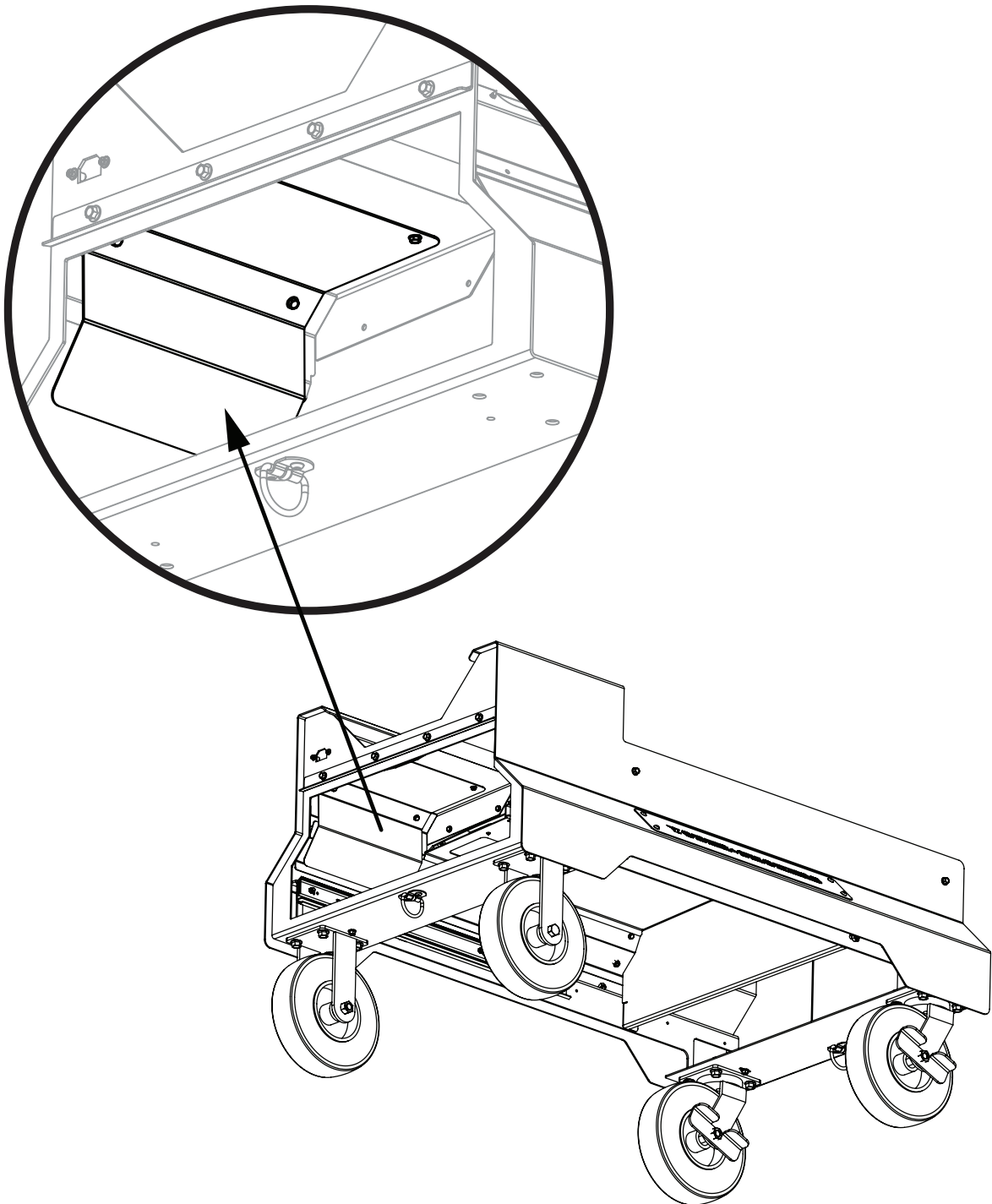
Rotate the small access panels back to their original position, then use a phillips head screwdriver to replace the two screws removed in Step 03 of the install process.



REPLACING THE LARGE PANEL ONTO THE COMPETITION CART

STEP 12

*With the drawer fully open, replace the large access panel that was removed in Step 04.
Use a 5/16" to fasten the four screws back into place.*



**THIS COMPLETES
THE HARDWARE INSTALL**

Q SERIES[®]
★ YODER SMOKERS ★

QUESTIONS?

877.409.6337 | CUSTOMERSERVICE@YODERSMOKERS.COM.