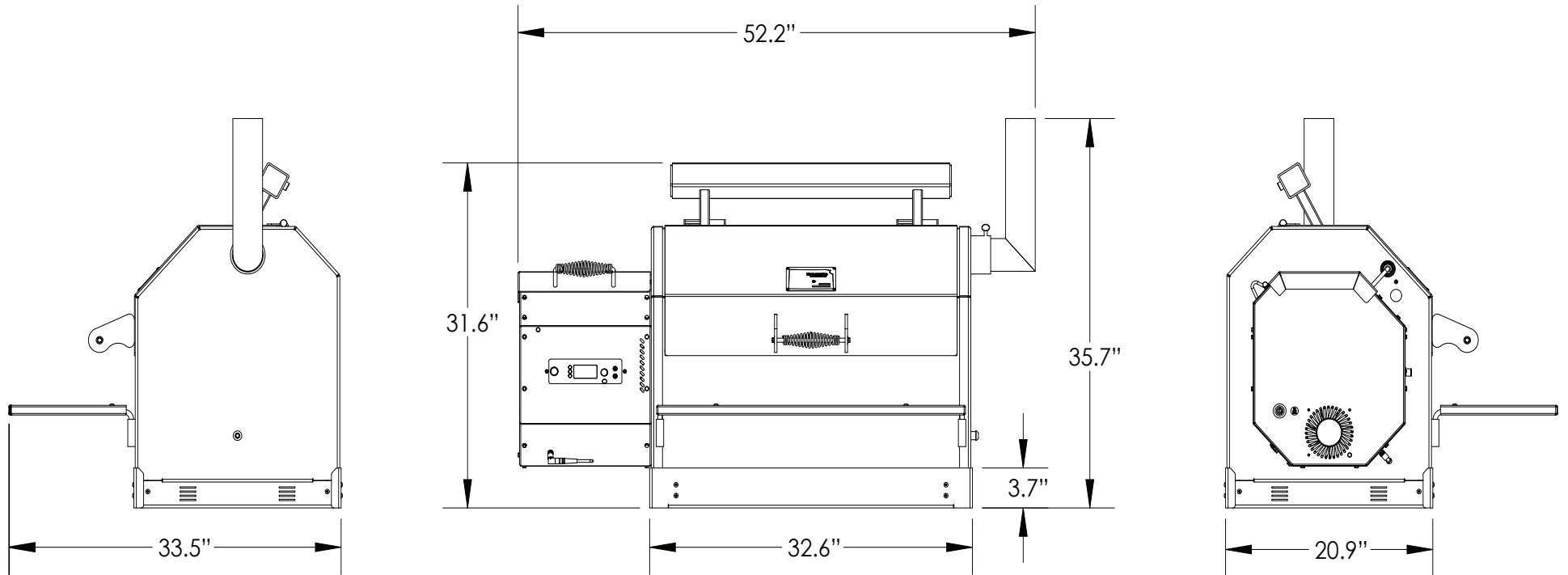


YS640S BUILT-IN PELLET COOKER

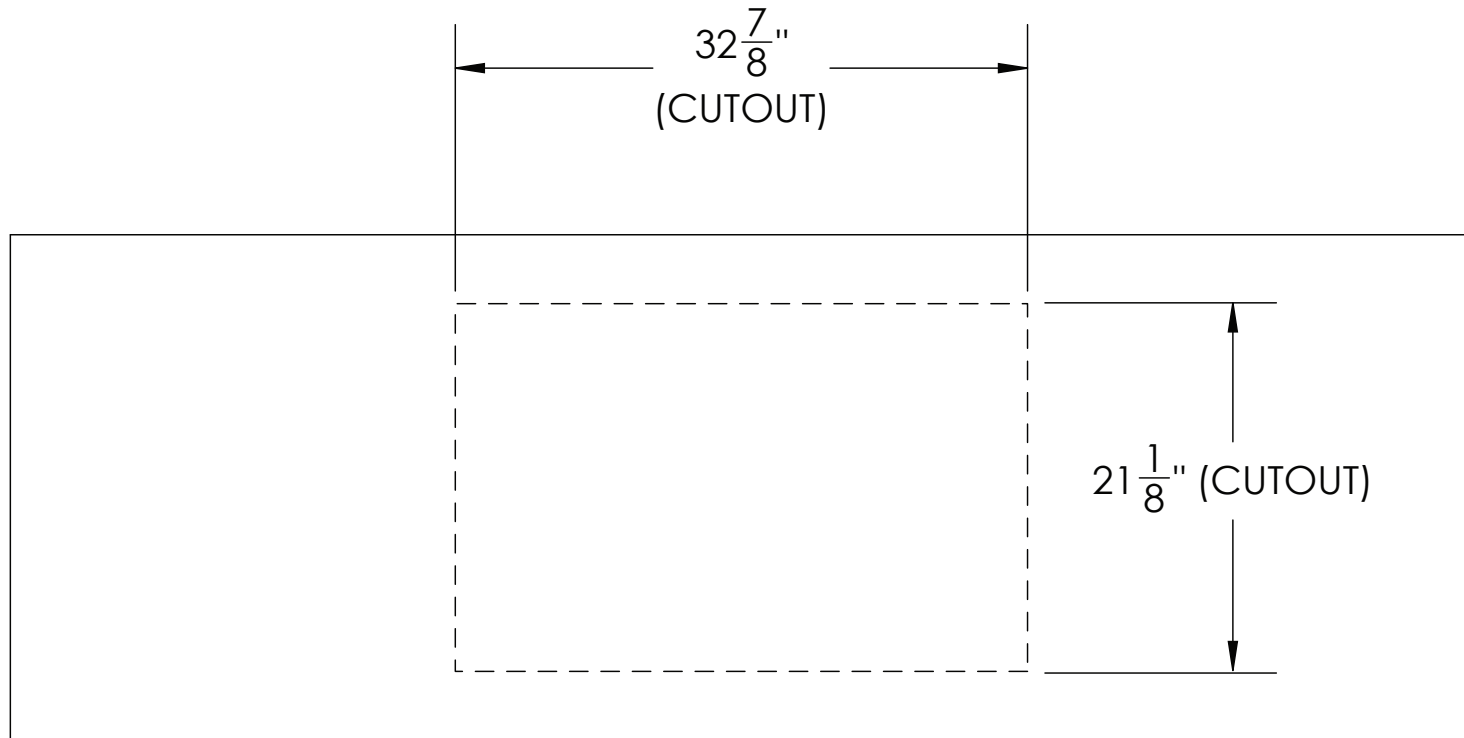
CENTER MOUNT INSTALLATION

Overall Height: **35.7 in.** Overall Depth: **20.9 in.** Overall Length: **52.2 in.** Total Weight: **291 lbs.**



YS640S BUILT-IN PELLET COOKER

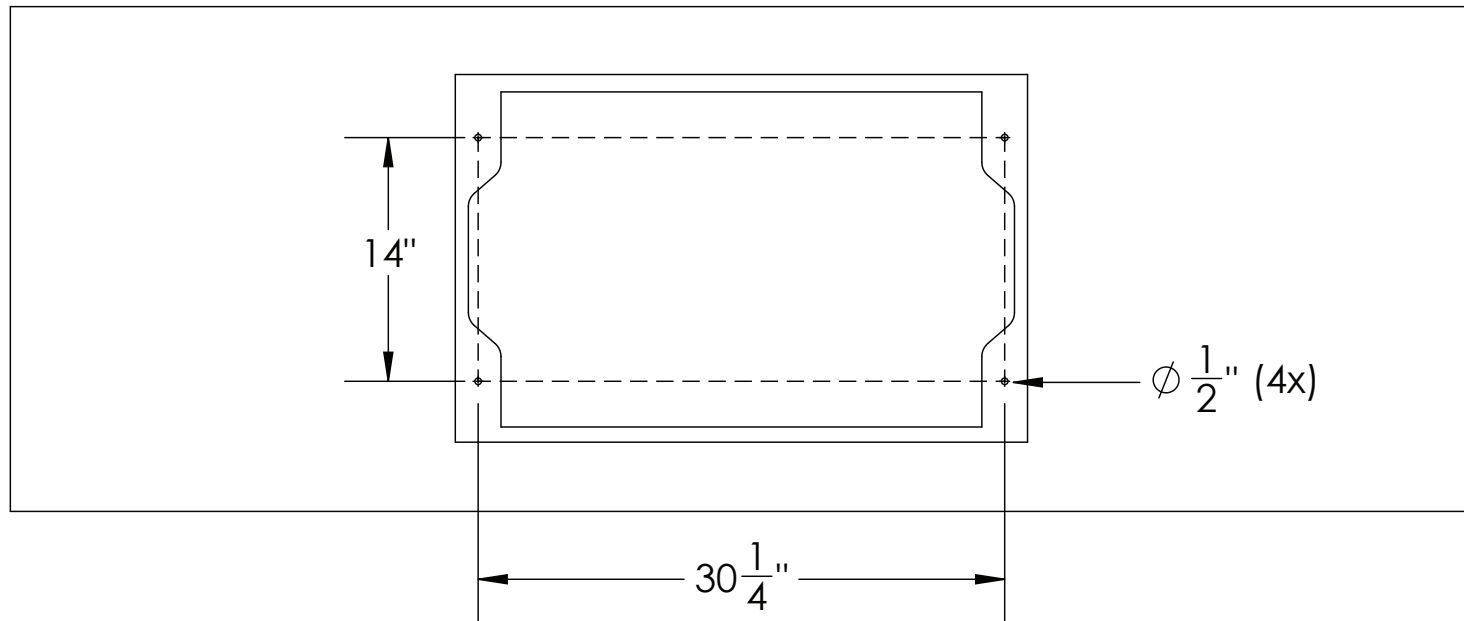
CENTER MOUNT CUTOUT DIMENSIONS



NOTE: STRUCTURE MUST BE ABLE TO SUPPORT AT LEAST 350 LBS

YS640S BUILT-IN PELLET COOKER

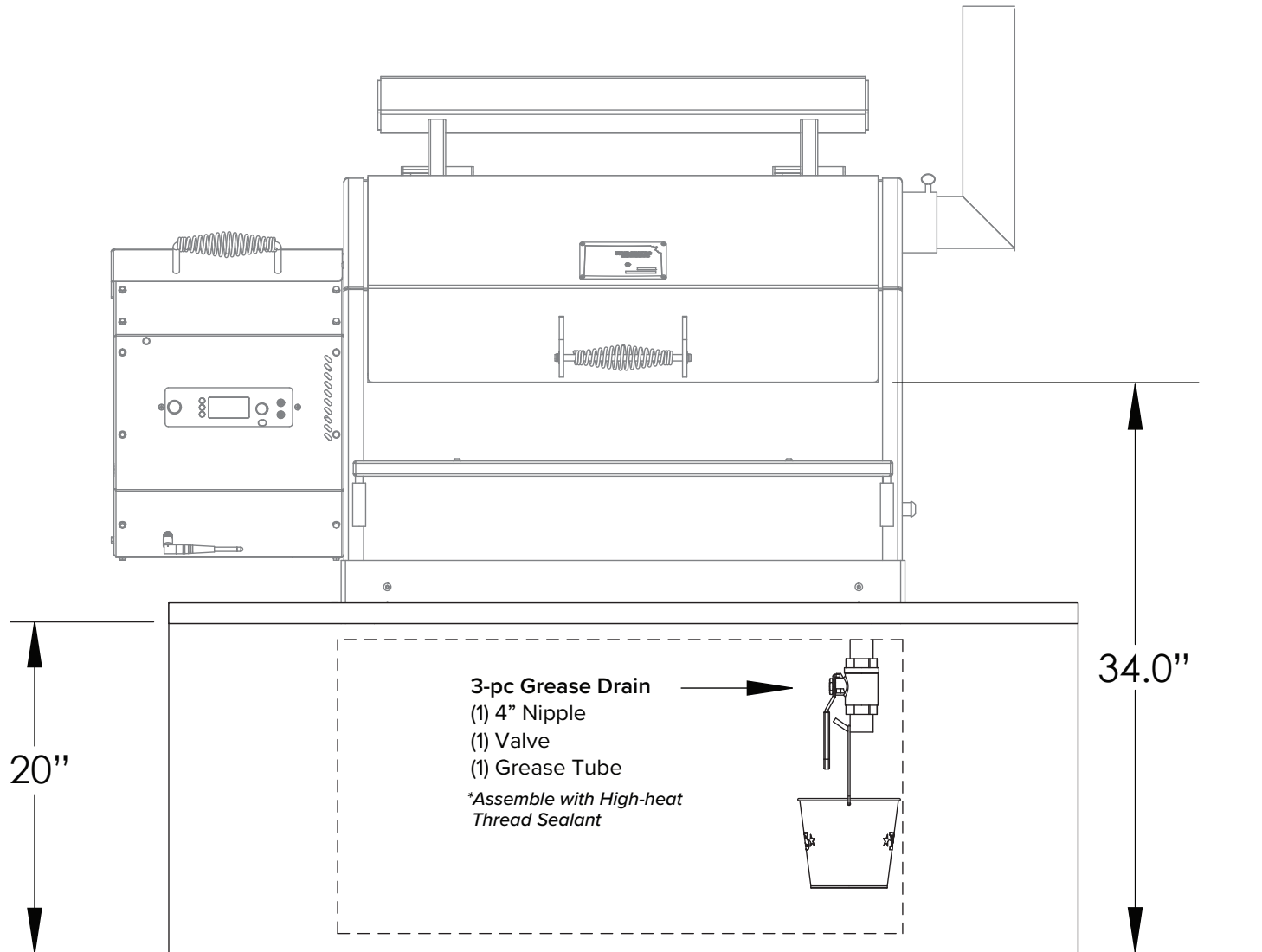
CENTER MOUNT HOLE PATTERN



NOTE: STRUCTURE MUST BE ABLE TO SUPPORT AT LEAST 350 LBS

YS640S BUILT-IN PELLET COOKER

CENTER MOUNT INSTALL REFERENCE



YS640S BUILT-IN PELLET COOKER

RECOMMENDED CLEARANCE FOR CENTER MOUNT

