

★ **YODER SMOKERS** ★  
PREMIUM GRILLS & SMOKERS

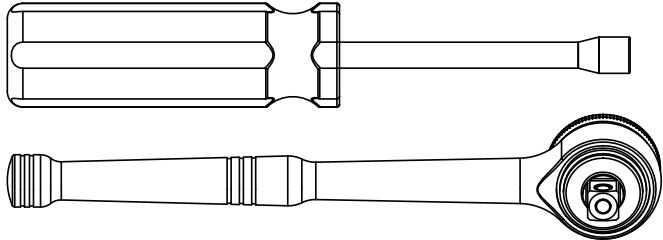
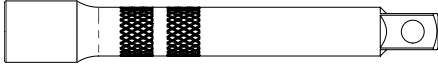
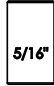

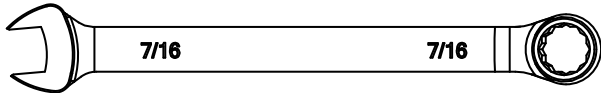
# STORAGE DRAWER SYSTEM

YS480 / YS640 ASSEMBLY AND INSTALLATION



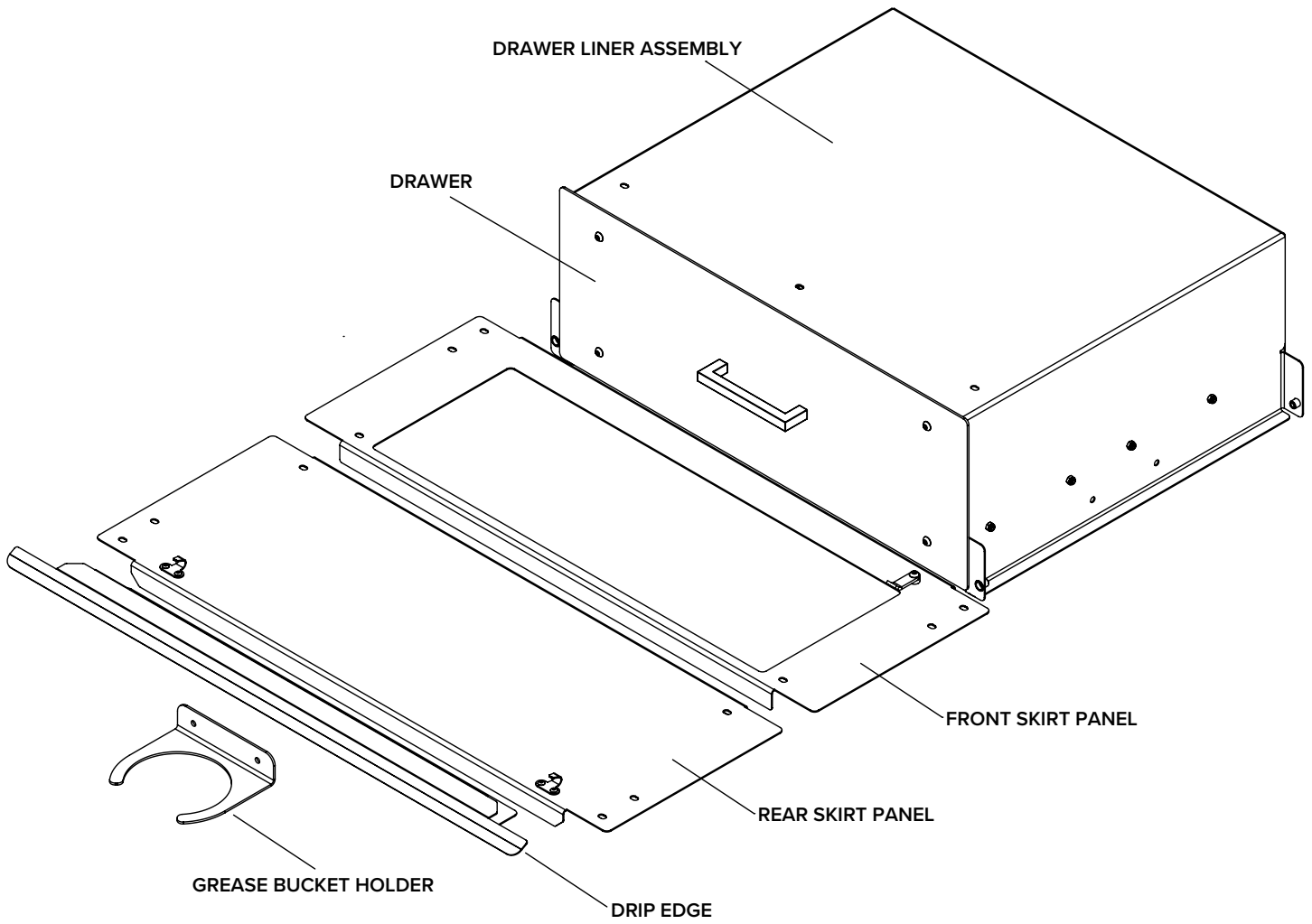
 **MADE**<sup>TM</sup>  
HANDCRAFTED IN THE USA

## RECOMMENDED TOOLS

<p>NUT DRIVERS OR SOCKET WRENCH</p>	
<p>3" SOCKET EXTENSION</p>	
<p>5/16" SOCKET</p>	
<p>3/8" SOCKET</p>	
<p>7/16" WRENCH</p>	

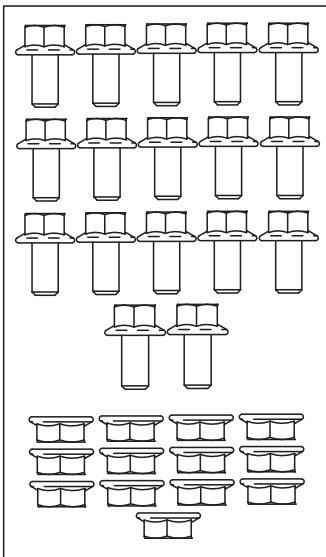
IT IS RECOMMENDED THAT TWO PEOPLE PERFORM THE INSTALLATION

# PARTS + HARDWARE



## HARDWARE KIT

1/4-20 BOLTS.....QTY 17  
 1/4-20 NUTS.....QTY 13



## REPLACEMENT PARTS INDEX

PART	YS640	YS480
DRAWER / LINER ASSEMBLY	A94273	A94273-102
REAR SKIRT PANEL	A94272	A94272-102
FRONT SKIRT PANEL	A94271	A94271-102
DRIP EDGE	93268	93268-102
GREASE BUCKET HOLDER	94279	94279

## STEP 01

Remove drawer from drawer liner using the release levers on the drawer slide rails as shown in Figure 01. Set the drawer aside for later installation.

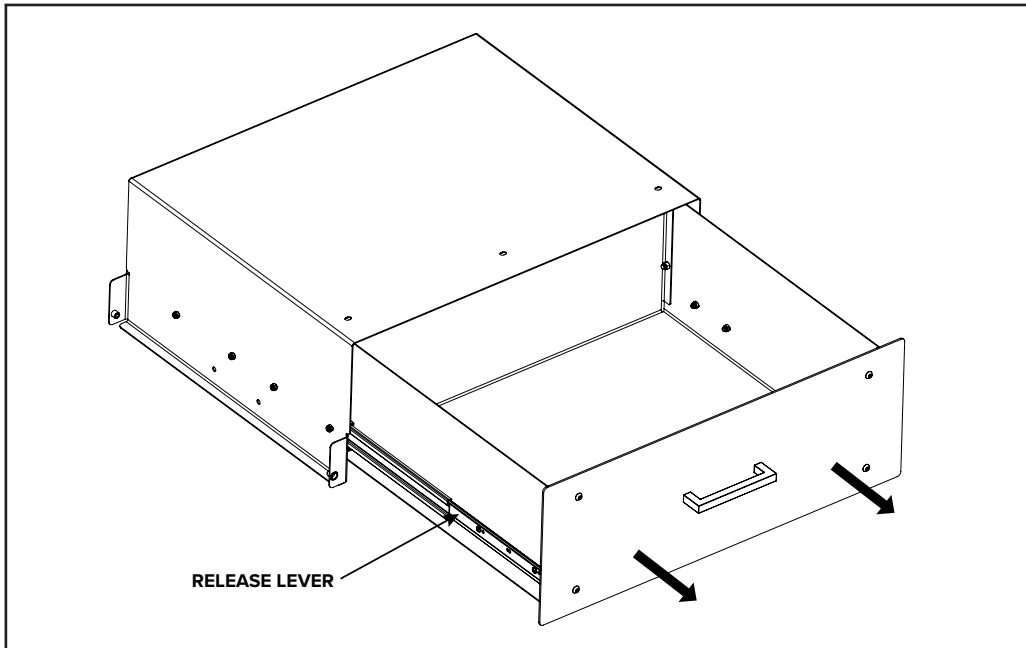


FIG 01

## STEP 02

Locate hardware kit, front panel assembly, and drawer liner assembly. Secure front panel to drawer liner using provided  $\frac{1}{4}$ -20 bolts and nuts (Qty 2) as shown in Figure 02.

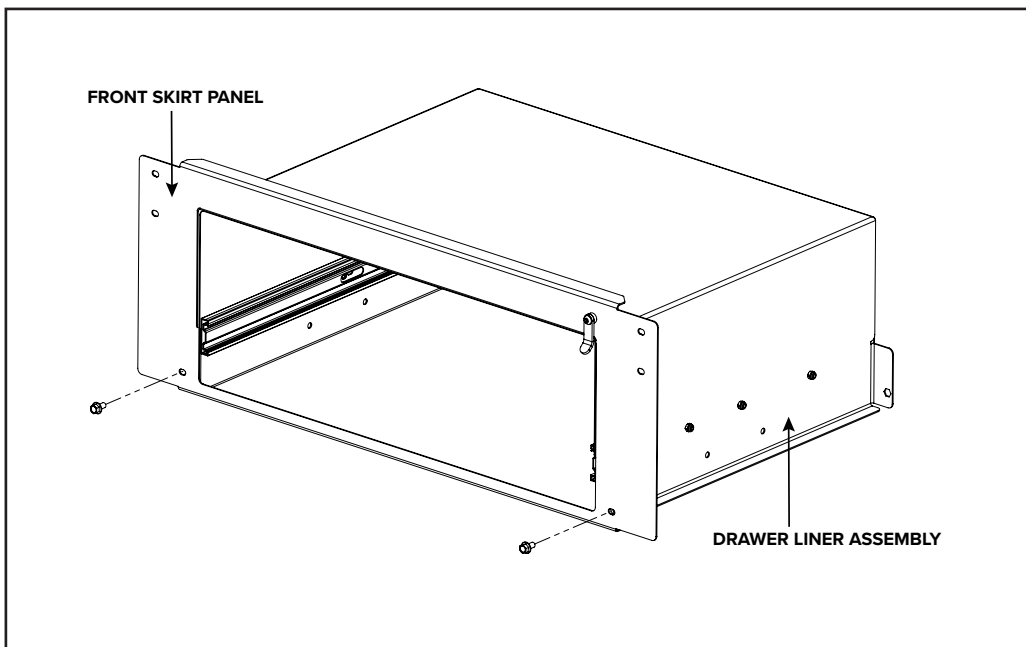


FIG 02

## STEP 03

Secure the drip edge to the drawer liner/front panel assembly using  $\frac{1}{4}$ -20 bolts and nuts (Qty. 3) as shown in Figure 3. (Note drip edge orientation on Figure 4)

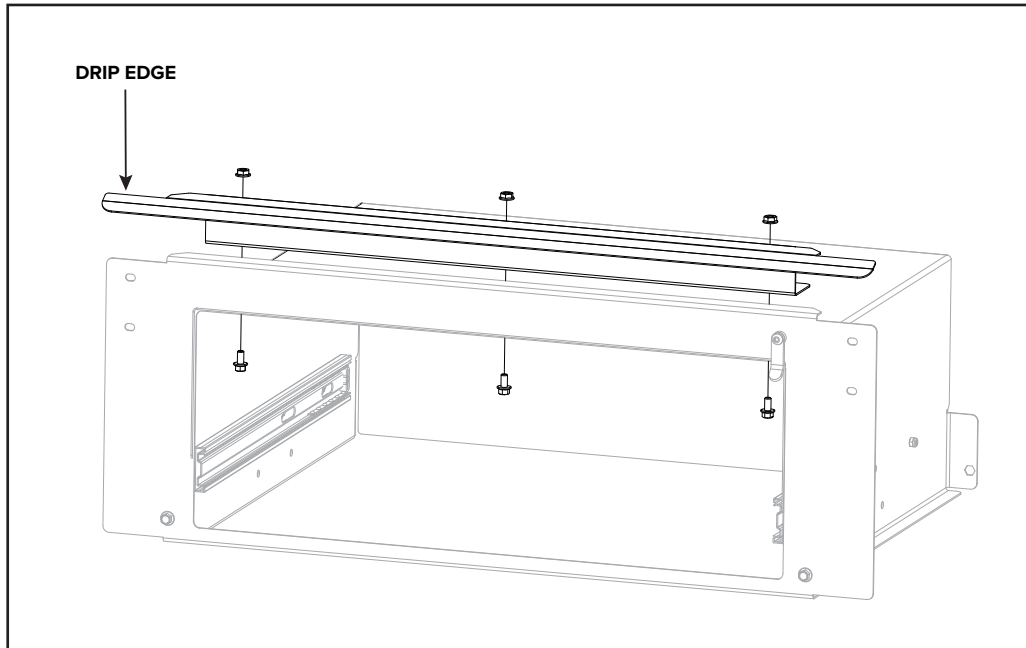


FIG 03

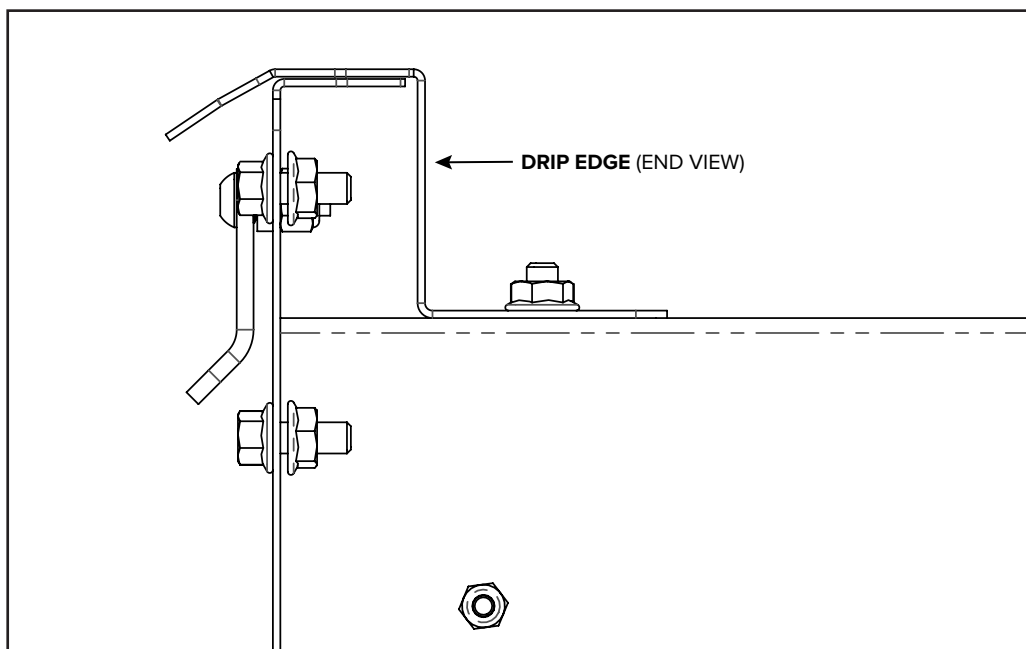


FIG 04

## STEP 04

Using a 3/8" socket and 7/16" wrench, REMOVE the rear skirt panel by removing the 4 bolts and nuts as shown in Figure 05.

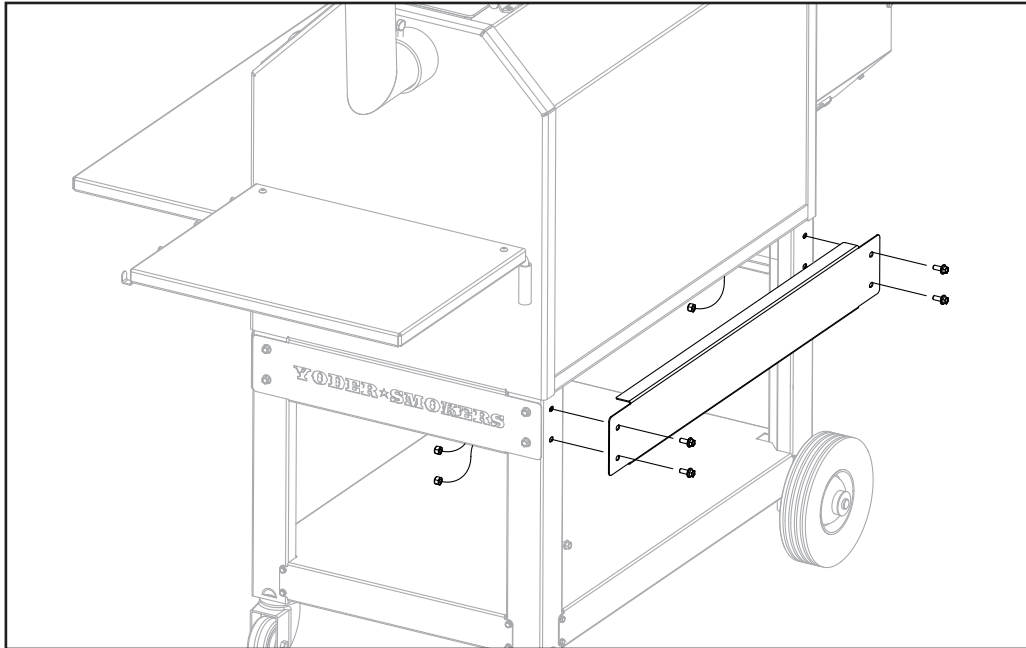


FIG 05

## STEP 05

Install the new rear skirt panel (See Figure 06) using the provided 1/4-20 bolts and nuts (Qty 6). *Note: the skirt panel should be pushed up tight against the bottom of the cook chamber before tightening fasteners.*

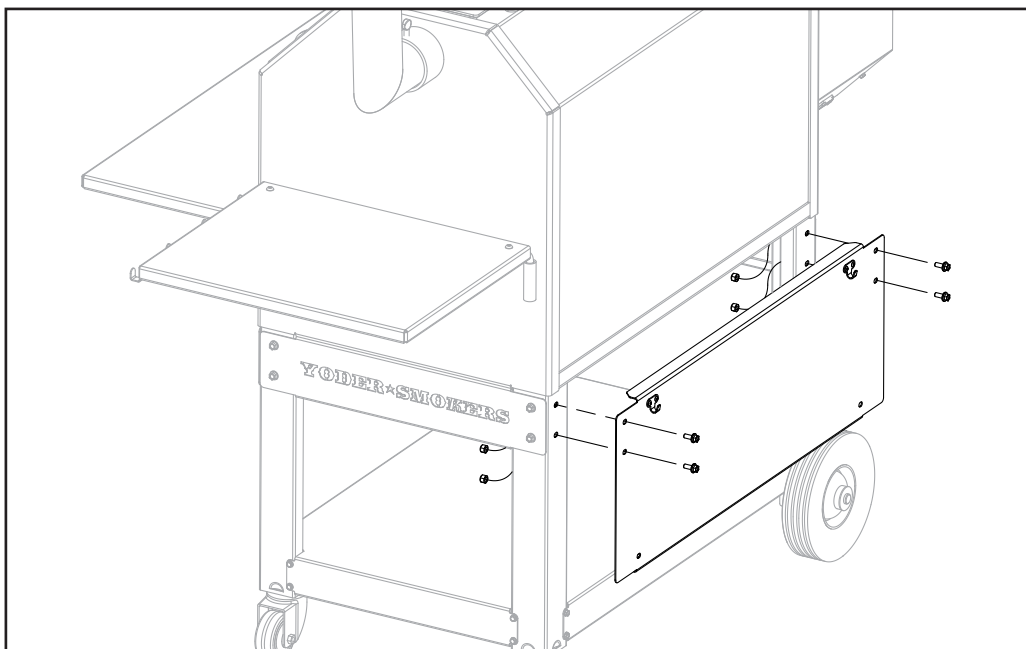


FIG 06

## STEP 06

Using a 3/8" socket and 7/16" wrench, REMOVE the front skirt panel from the cooker by removing the 4 bolts and nuts as shown in Figure 07.

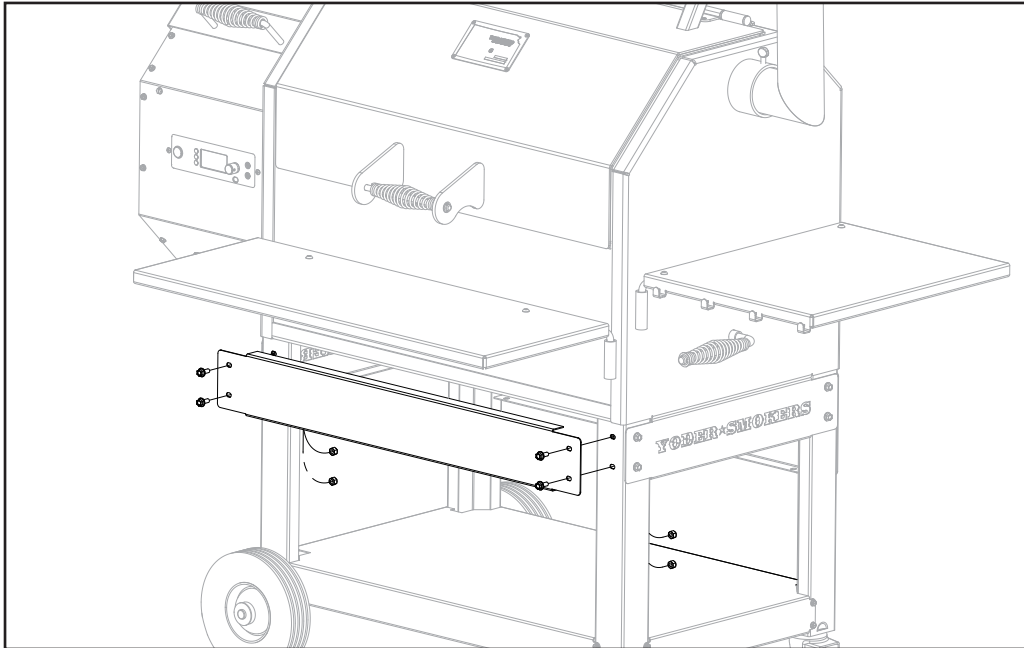


FIG 07

## STEP 07

Install the new front panel/drawer liner assembly (See Figure 08) using the provided 1/4-20 bolts and nuts (Qty 4). *Note: The back of the drawer liner should rest on the rear skirt panel flange.*

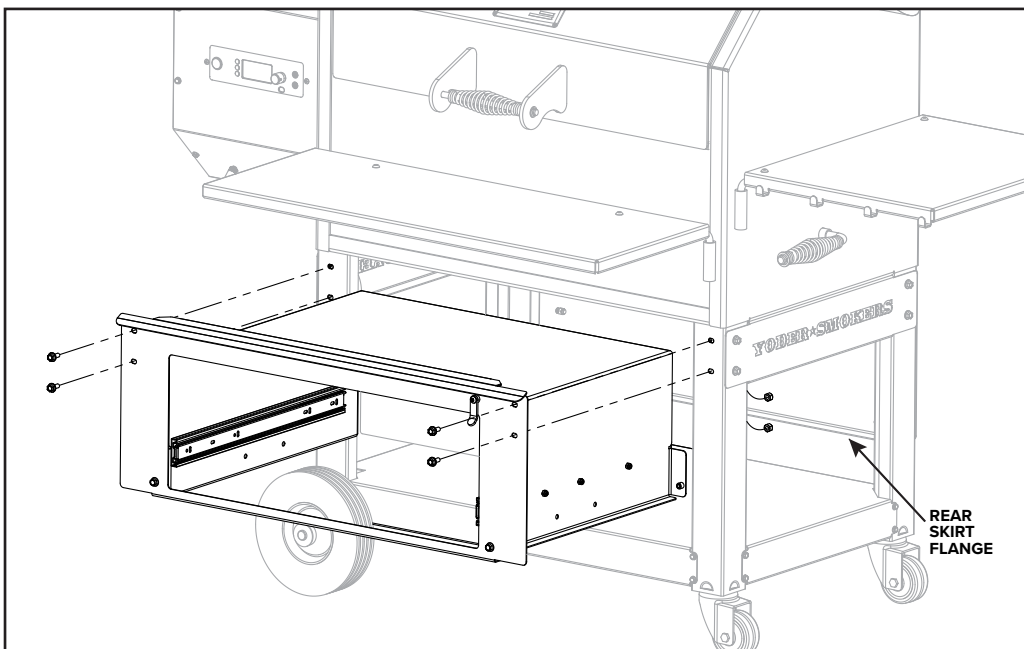


FIG 08

## STEP 08

Secure the drawer liner assembly to the rear skirt panel using 1/4-20 bolts and nuts (Qty 2) as shown in Figure 09.

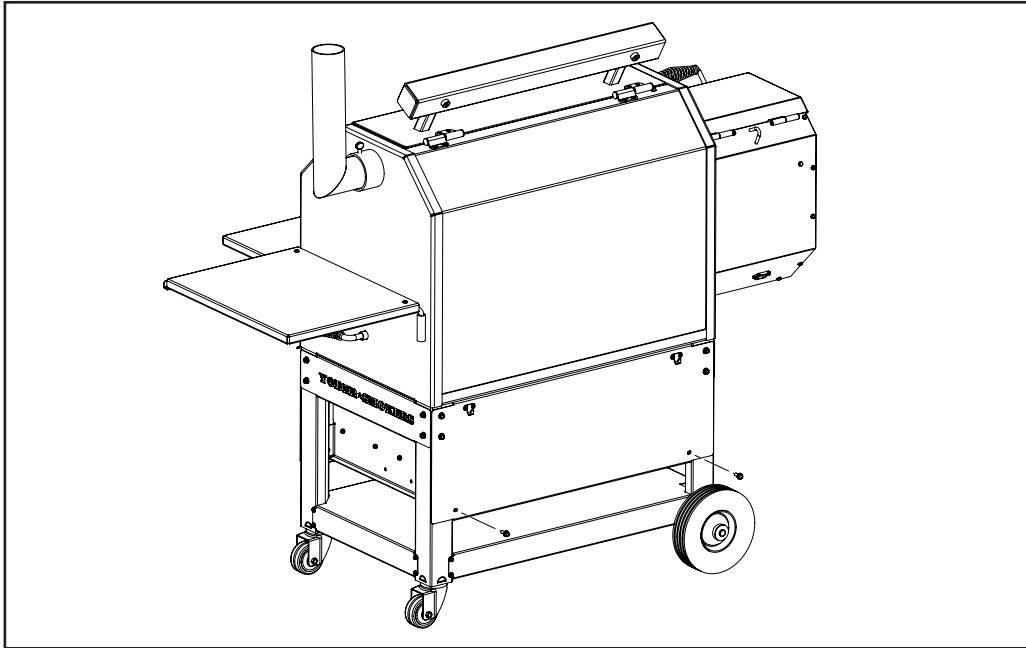


FIG 09

## STEP 09

Install the grease bucket bracket as shown below in Figure 10 using 1/4-20 bolts and nuts (Qty 2).

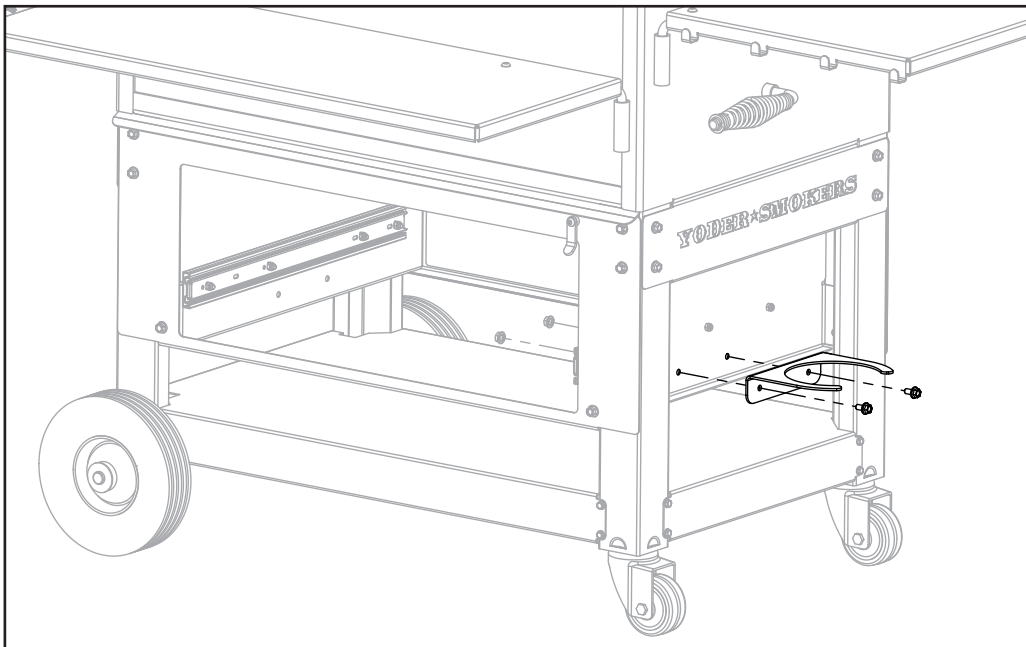


FIG 10



## STEP 10

Install the drawer assembly into the drawer liner (Fig. 11) by aligning the rails on the drawer with the tracks on the drawer liner assembly and pushing the drawer closed. Travel lock is for securing the drawer when moving the cooker.

*Note: Be sure to align the rail and track properly on each side. It may take some force to push the drawer into the track on the initial install.*

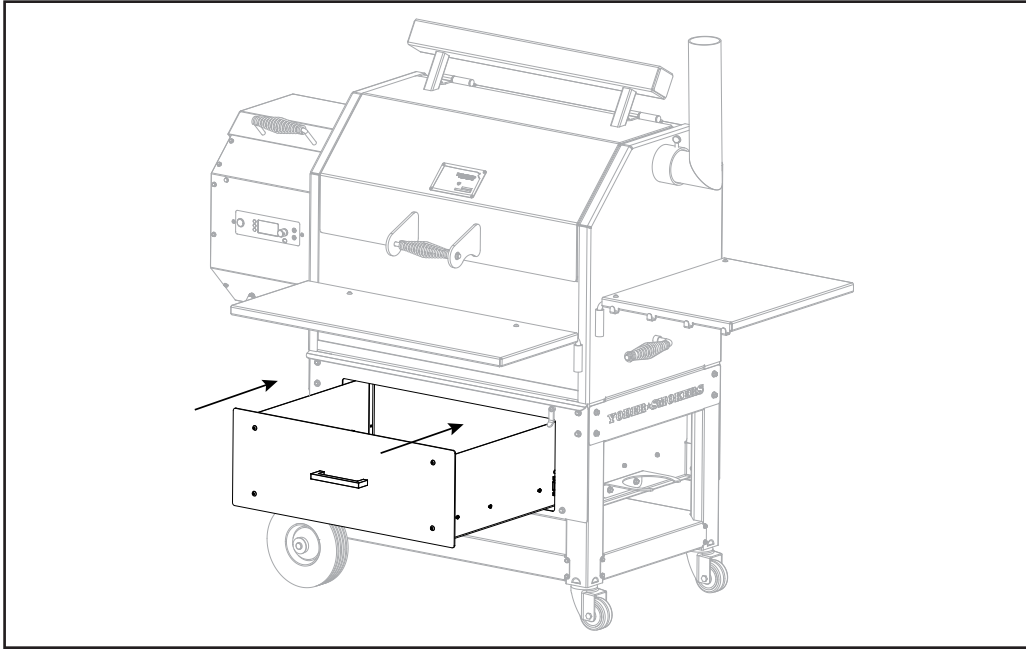
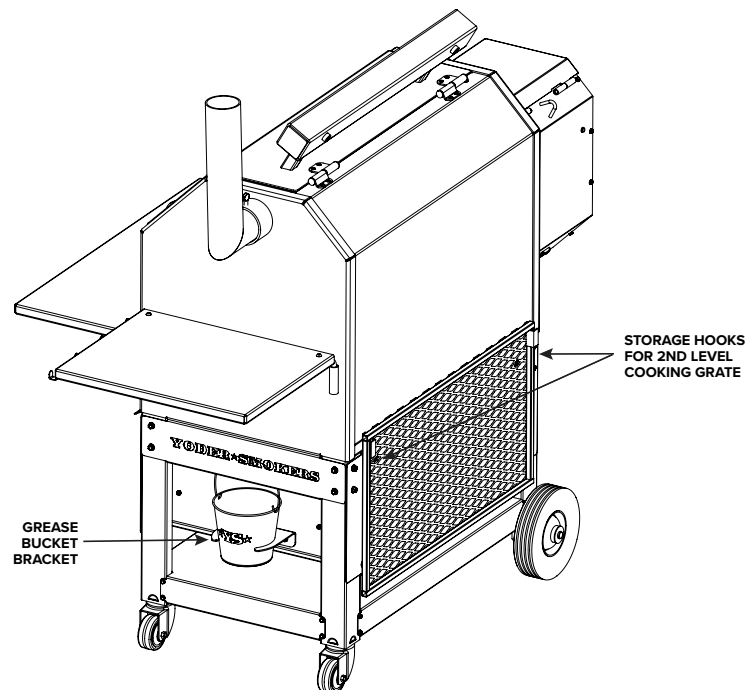


FIG 11

## GREASE BUCKET AND COOKING GRATE HOOKS



**★ YODER SMOKERS ★**  
PREMIUM GRILLS & SMOKERS

**FOR PRODUCT SUPPORT:**  
**877.409.6337 (Ext. 2)**  
**customerservice@yodersmokers.com**

**WWW.YODERSMOKERS.COM**